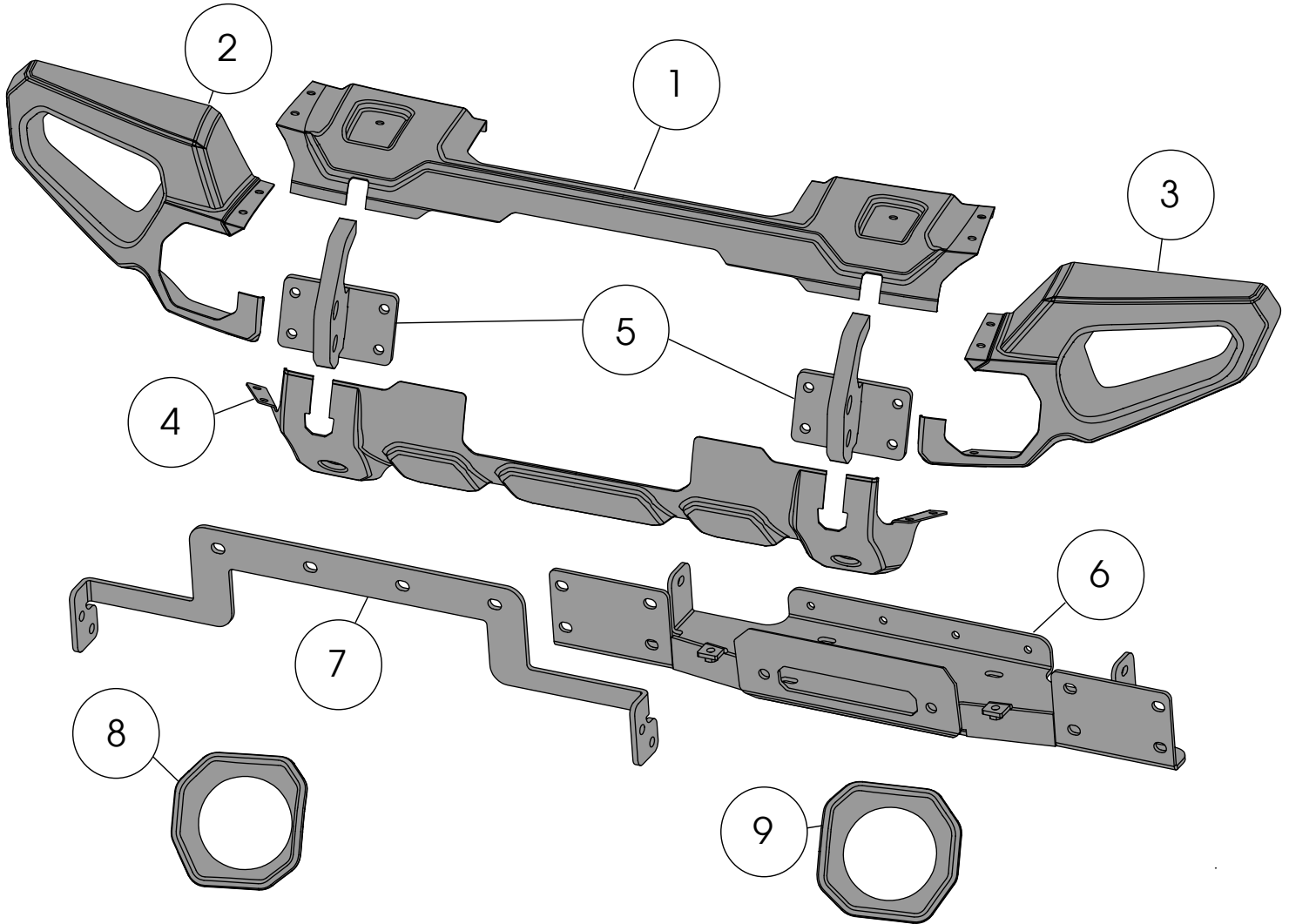


Venator Front Bumper, JL Patent Pending



Components

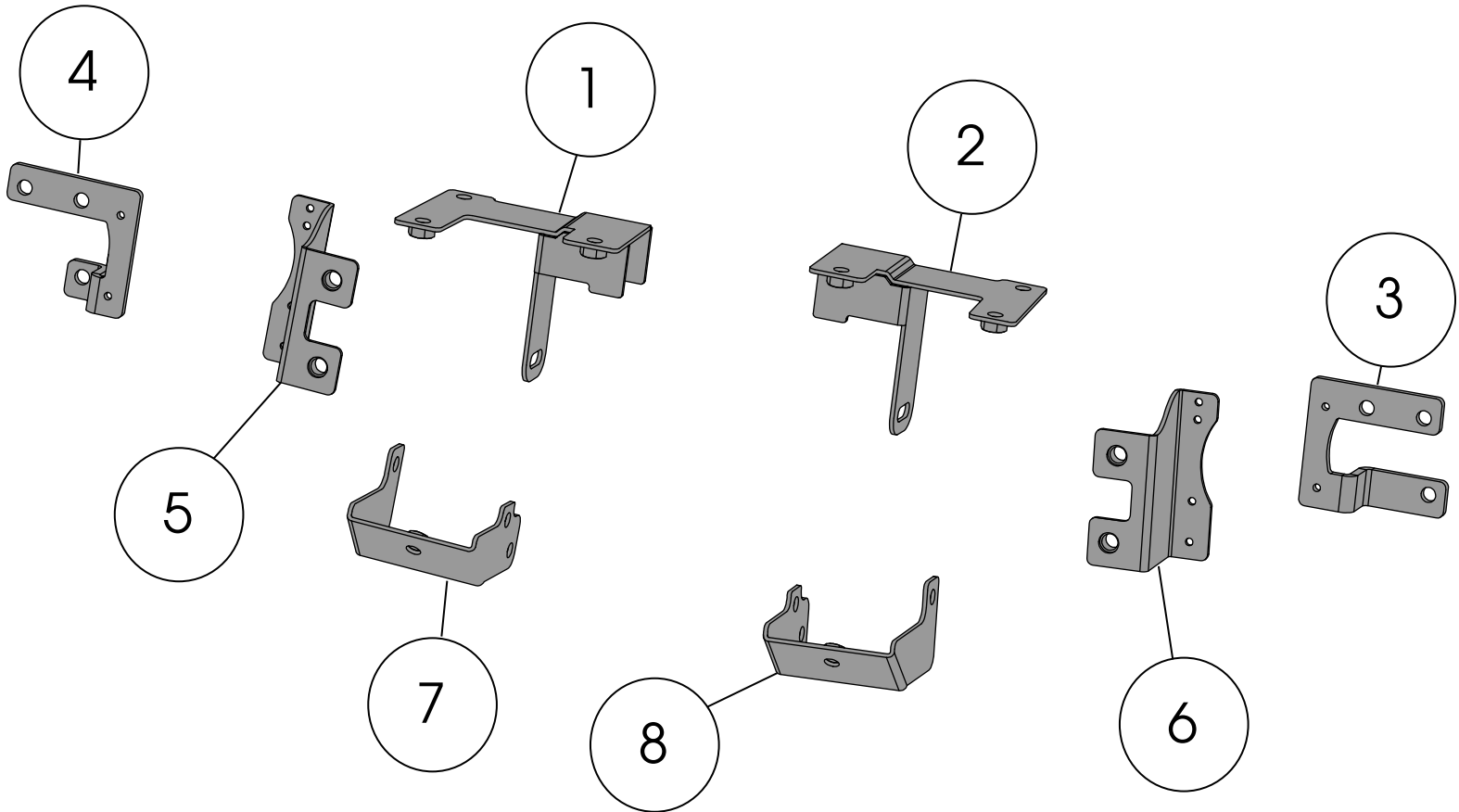
1. Bumper Shell - Center Top	(1)	6. Winch Tray	(1)
2. Bumper Shell - Right End	(1)	7. Winch Tray Support Bracket	(1)
3. Bumper Shell - Left End	(1)	8. Plastic Insert - Right	(1)
4. Bumper Shell - Center Bottom	(1)	9. Plastic Insert - Left	(1)
5. Tow Hook	(1)		

OMIX-ADA® TECHNICAL SUPPORT

PHONE: M-F 8am - 5pm EST 1-800-449-6649

FOR WARRANTY OR TECH CONCERNS EMAIL: webmaster@omixsupport.com

Venator Front Bumper, JL Patent Pending



Components

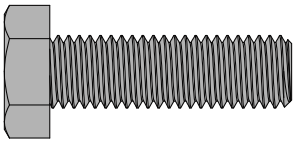
1. Top Mounting Bracket - Right	(1)	5. Fog Light Bracket - Right	(1)
2. Top Mounting Bracket - Left	(1)	6. Fog Light Bracket - Left	(1)
3. Sport Fog Light Adapter - Left	(1)	7. Bottom Mounting Bracket - Right	(1)
4. Sport Fog Light Adapter - Right	(1)	8. Bottom Mounting Bracket - Left	(1)

OMIX-ADA® TECHNICAL SUPPORT

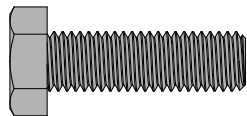
PHONE: M-F 8am - 5pm EST 1-800-449-6649

FOR WARRANTY OR TECH CONCERNS EMAIL: webmaster@omixsupport.com

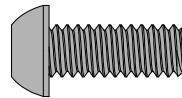
Venator Front Bumper, JL Patent Pending



M12 Hex Head Bolt (8)



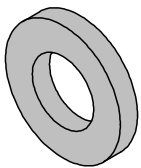
M10 Hex Head Bolt (18)



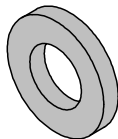
M10 Button Head Bolt (14)



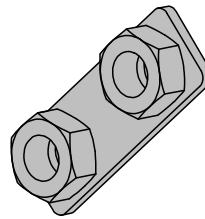
M4 Button Head Bolt (4)



M12 Washer (16)



M10 Flat Washer (22)



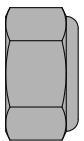
Inner Nut Plate (2)



M4 Lock Nut (4)



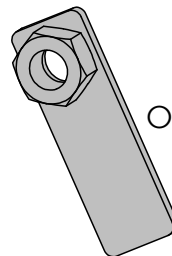
M4 Washer (8)



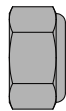
M12 Lock Nut (8)



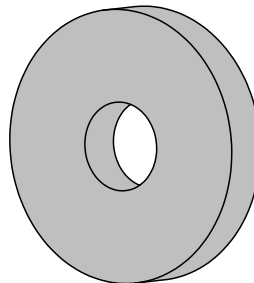
M10 Plastic Washer (14)



Outer Nut Plate (2)



M10 Lock Nut (8)



Winch Spacer (4)

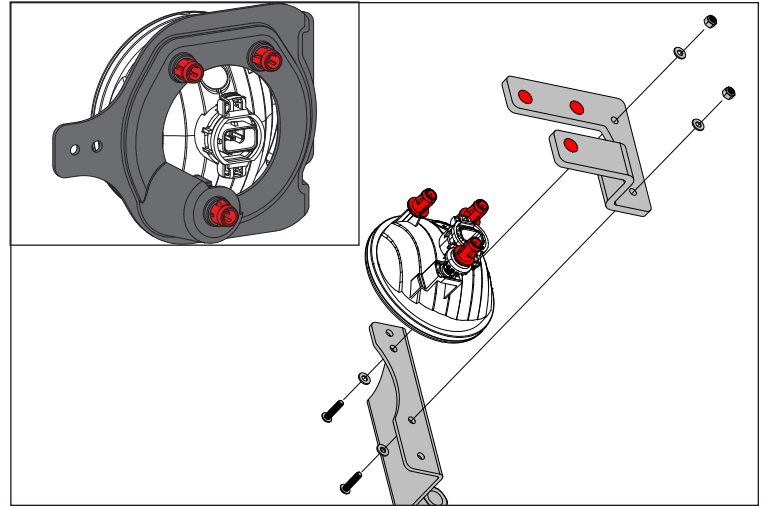
OMIX-ADA® TECHNICAL SUPPORT

PHONE: M-F 8am - 5pm EST 1-800-449-6649

FOR WARRANTY OR TECH CONCERNS EMAIL: webmaster@omixsupport.com

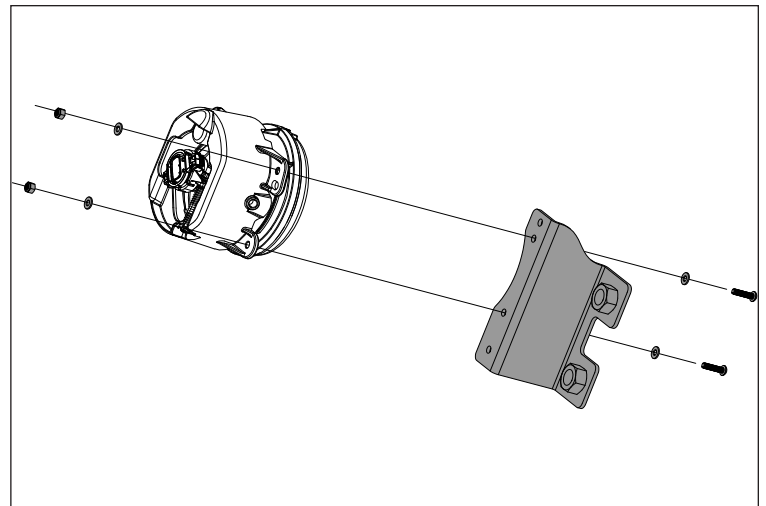
Venator Front Bumper, JL Patent Pending

1. Disconnect OE Fog Lights from vehicle and remove factory Bumper, Lower Air Dam, plastic Cover Panel, and Tow Hooks. Remove OE Fog Light Housing from factory Bumper.



2. Install Fog Lights.

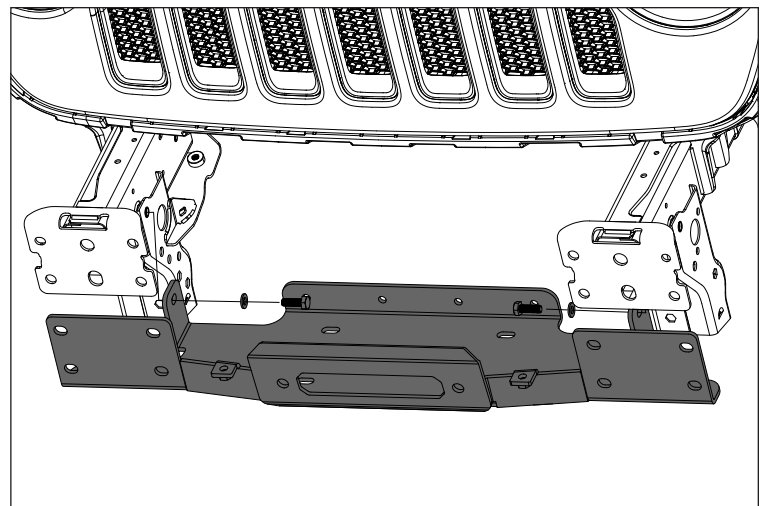
For Sport Models: Remove OE plastic mounting bracket from light by depressing tabs on light housing, Snap tabs into Sport Fog Light Adaptor. Using supplied M4 hardware, attach Sport Fog Light Adaptor to Fog Light Bracket.



For Sahara Models: Using supplied M4 hardware, attach Fog Light to Light Bracket.

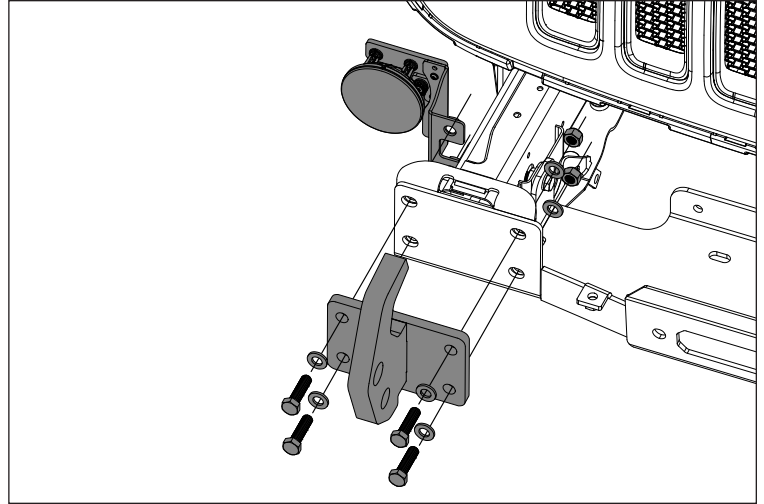
NOTICE Some drilling and cutting is needed to mount OE Stamped Steel Bumper Fog Light.

3. Remove OE Frame Horn Brackets. Using supplied M10 Hex Head Bolt and Flat Washer, loosely attach Winch Tray to inside of Frame Horn.



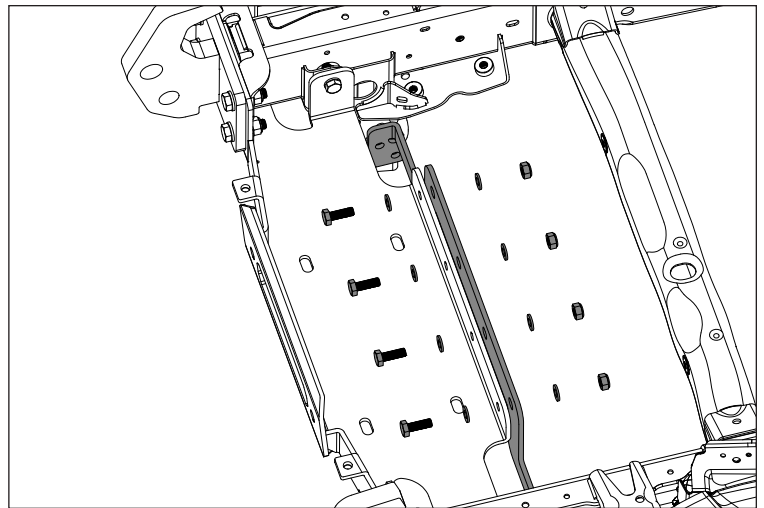
Venator Front Bumper, JL Patent Pending

4. Position Tow Hooks on Winch Tray. Attach Tow Hooks using supplied M10 Hardware using center four holes. Use supplied M10 Hex Head Bolt, Flat Washer, and Fog Light Bracket, loosely attach Tow Hook to the outer holes

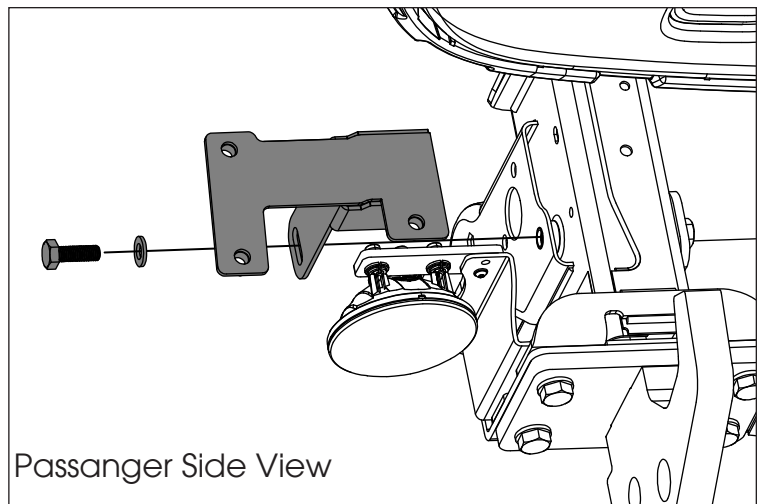


5. Tighten Tow Hook and Winch Tray Bolts.

6. Loosely attach Winch Tray Support Bracket to Winch Tray using supplied M10 hardware.



7. Using supplied M10 Hex Head Bolt and Flat Washer, loosely attach Upper Mounting Bracket to Frame Horn.

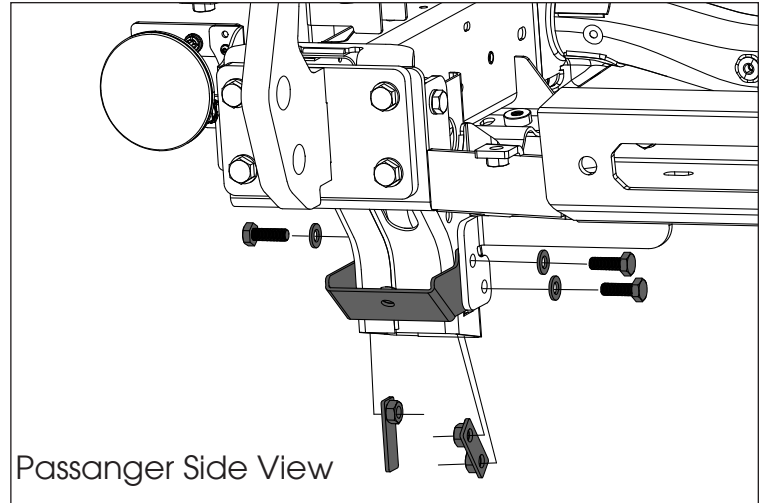




460 HORIZON DR. SUITE 400 | SUWANEE, GA 30024 | PHONE: 770-614-6101 | FAX: 844-270-0593 | www.Omix-ADA.com

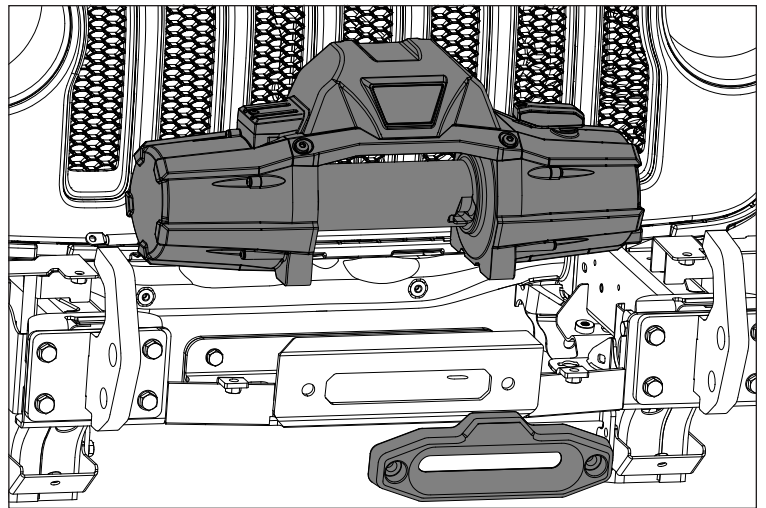
Venator Front Bumper, JL Patent Pending

8. Using supplied M10 Hex Head Bolt, Washer, and Nut Plates, loosely attach Bottom Mounting Bracket to Frame Horn. Tighten hardware connecting Winch Tray and Winch Tray Support Bracket.

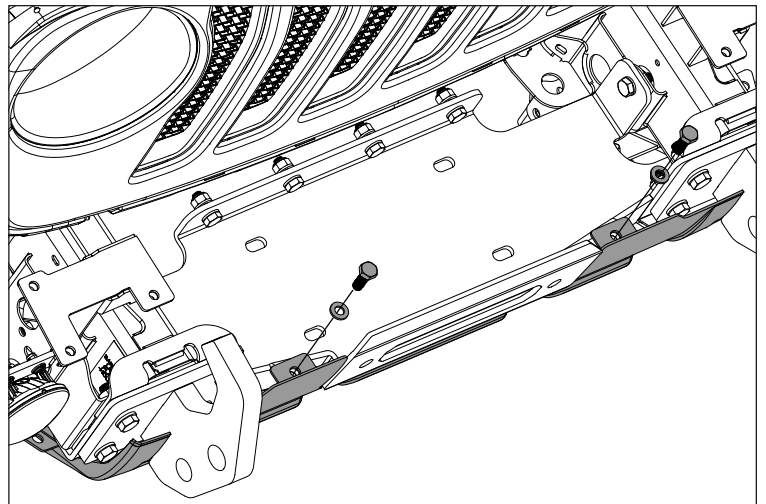


9. Following Winch Manufacturer's instructions, install winch.

NOTICE If installing Warn Zeon Winches, you will need to use Winch Spacers to rise the Winch to clearance the bumper shell.

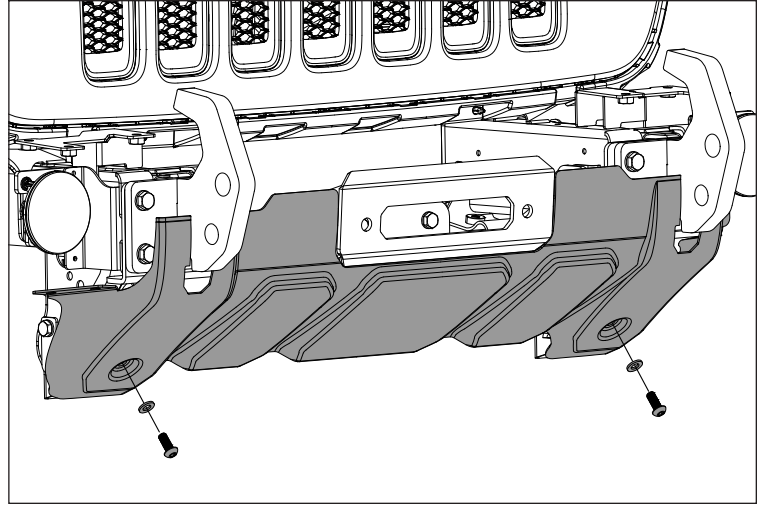


10. Loosely attach Bumper Shell - Center Bottom to Winch Tray using supplied M10 Hex Head Bolt and Flat Washer.

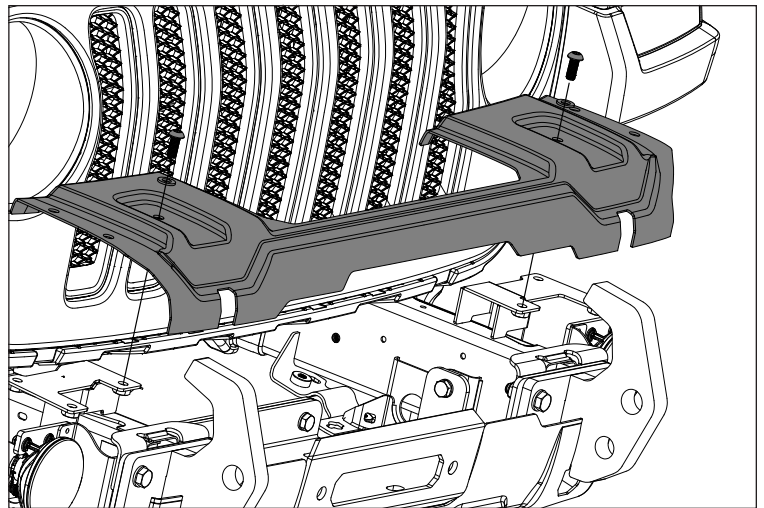


Venator Front Bumper, JL Patent Pending

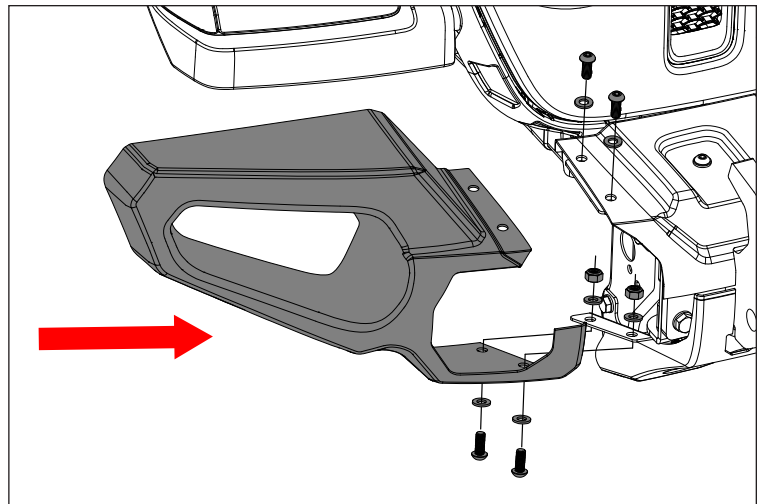
10. Loosely attach Bumper Shell - Center Bottom to Bottom Mounting Brackets using supplied M10 Button Head Bolts and Plastic Washers.



11. Using supplied M10 Button Head Bolts and Plastic Washers, loosely attach Bumper Shell - Center Upper to Upper Mounting Brackets.



12. Loosely attach Bumper Ends using supplied M10 Button Head Bolts, Plastic Washer, Flat Washer, and M10 Lock Nuts.

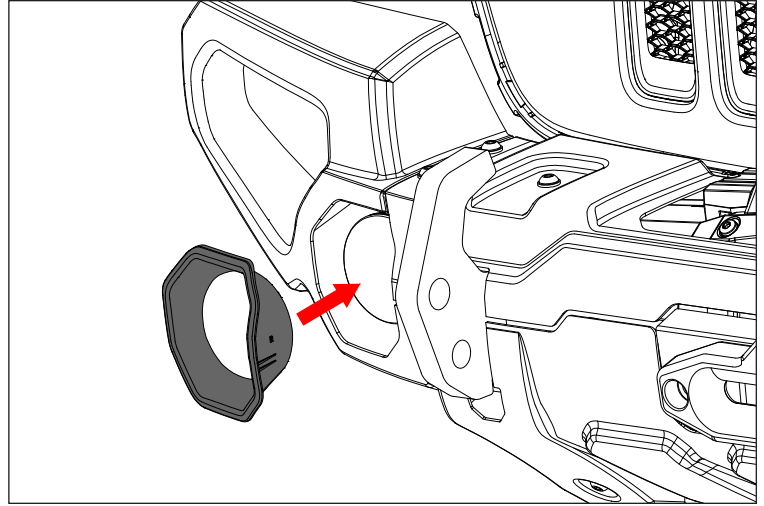




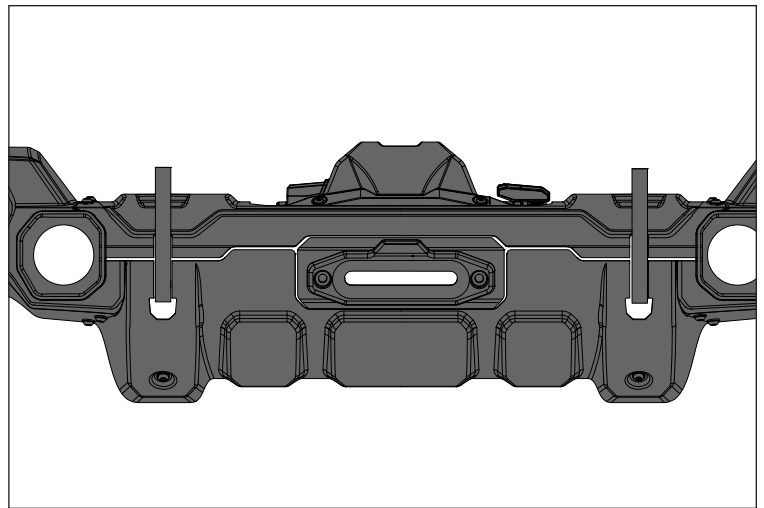
460 HORIZON DR. SUITE 400 | SUWANEE, GA 30024 | PHONE: 770-614-6101 | FAX: 844-270-0593 | www.Omix-ADA.com

Venator Front Bumper, JL Patent Pending

13. Snap into place Plastic Inserts.



14. Check alignment of Bumper Shell components.



15. Tighten all hardware, while taking care to ensure all components stay in alignment.

16. Reconnect Fog Lights to factory wire harness.

