

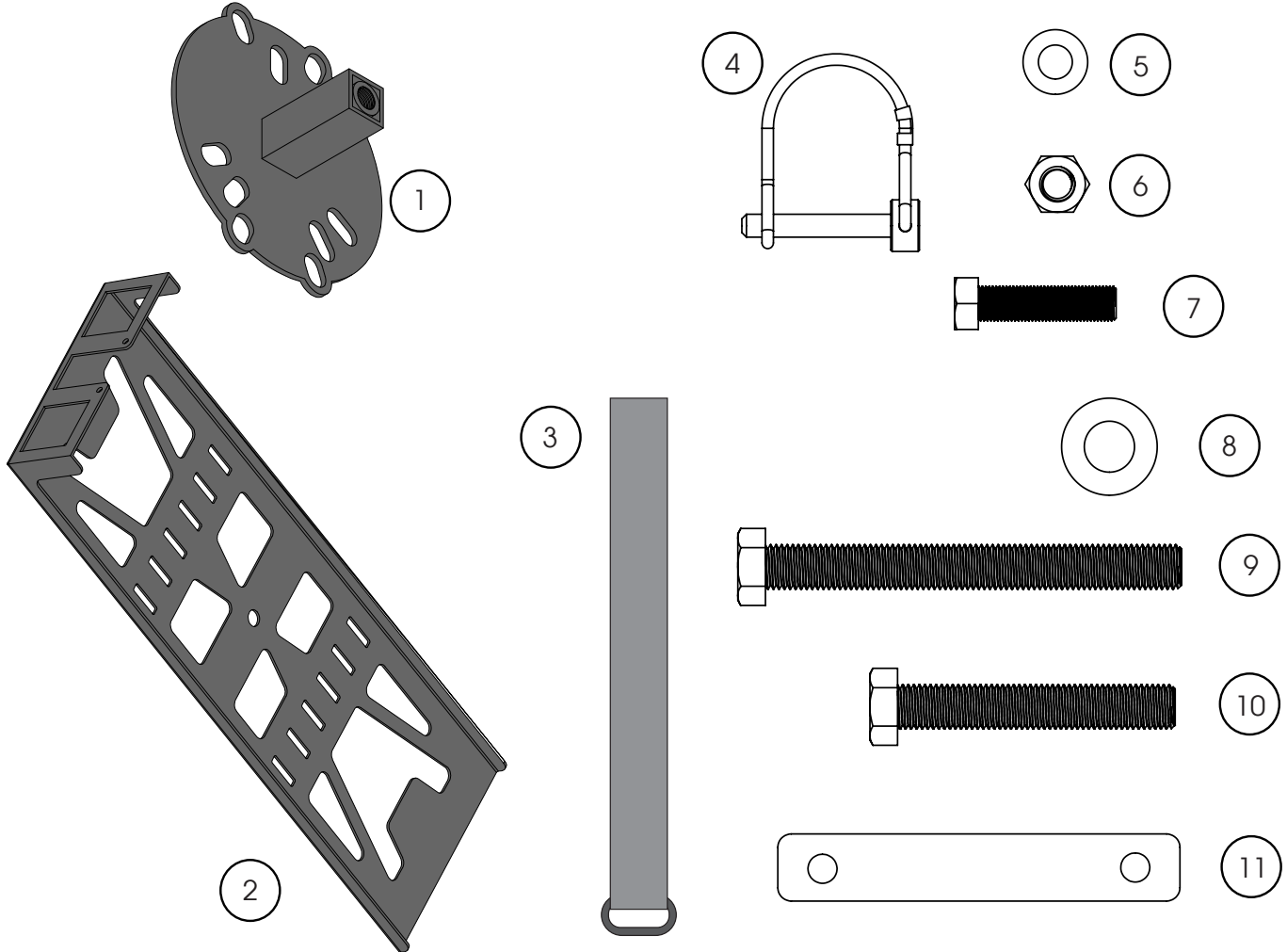


OMIX-ADA, Inc.

460 HORIZON DR. SUITE 100 | SUWANEE, GA 30024 | PHONE: 770-614-6101 | FAX: 770-614-6069 | info@omix-ada.com

Part #13551.63

# Spare Tire Tool Rack System



## Components

- |                   |     |   |     |
|-------------------|-----|---|-----|
| 1. Mounting Plate | (1) | 7. M6 Bolt                                | (1) |
| 2. Recovery Rack  | (1) | 8. M16 Washer                             | (1) |
| 3. Cinching Strap | (6) | 9. Long M16 Bolt (use for over 35" tires) | (1) |
| 4. Locking Pin    | (1) | 10. Short M16 Bolt                        | (1) |
| 5. M6 Washer      | (2) | 11. Latch Bracket                         | (1) |
| 6. M6 Nut         | (1) |   |     |

## ⚠ WARNING

Third Brake Light is required under Federal Law for on-road use (if OEM supplied). To reduce risk of injury or accident mount tool rack at 10 or 2 o'clock position and arrange tools to maintain visibility of third brake light.

### OMIX-ADA® TECHNICAL SUPPORT

PHONE: M-F 8am - 5pm EST 1-800-449-6649 | EMAIL: techsupport@omix-ada.com

FOR WARRANTY INFORMATION VISIT: [www.Omix-Ada.com](http://www.Omix-Ada.com)



OMIX-ADA, Inc.

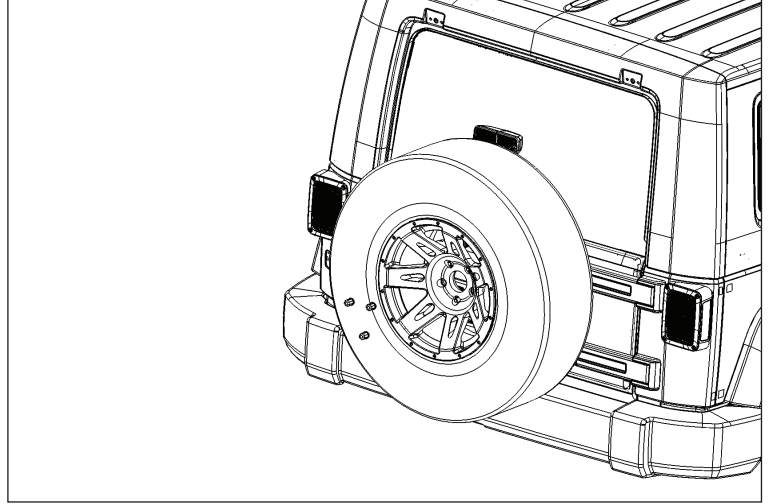
460 HORIZON DR. SUITE 100 | SUWANEE, GA 30024 | PHONE: 770-614-6101 | FAX: 770-614-6069 | info@omix-ada.com

# Spare Tire Tool Rack System

1. Remove spare tire and set aside.

**NOTICE**

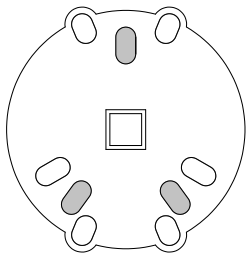
Maintain tire pressure to assure firm contact with tool rack (30 psi min).



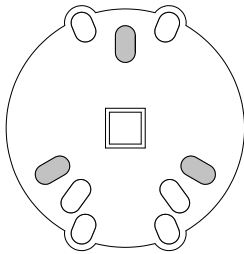
2. Place Mounting Plate onto spare tire carrier.

**NOTICE**

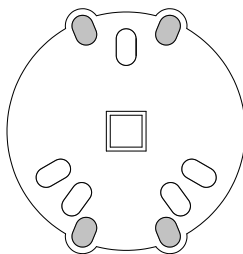
Mounting Plate is design to work with 5, 6, and 8 lug patterns.



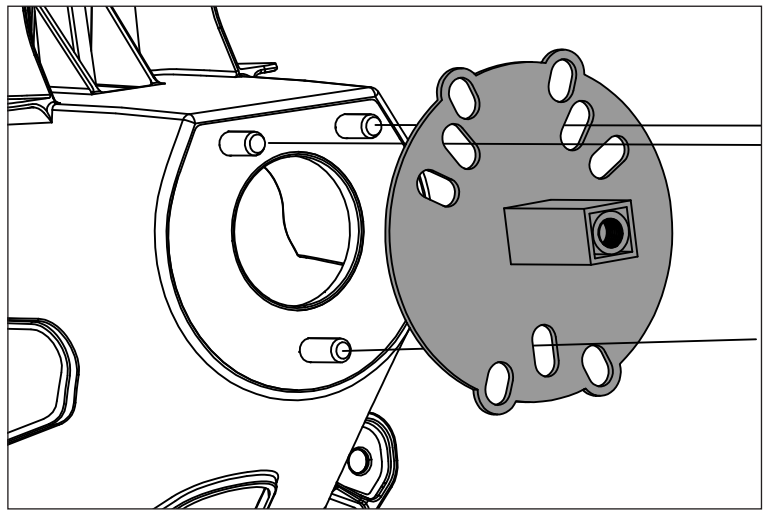
5 Lug Pattern



6 Lug Pattern



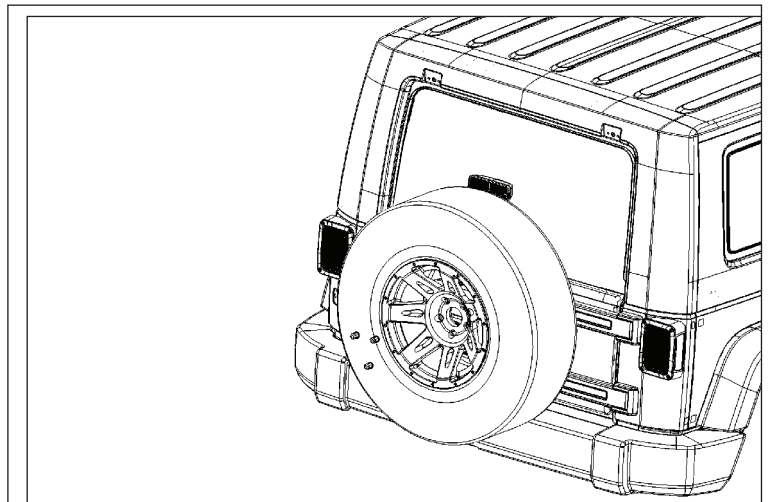
8 Lug Pattern



3. Reattach spare tire and lug nuts.

**CAUTION**

Have another person help lift spare tire onto tire carrier.





OMIX-ADA, Inc.

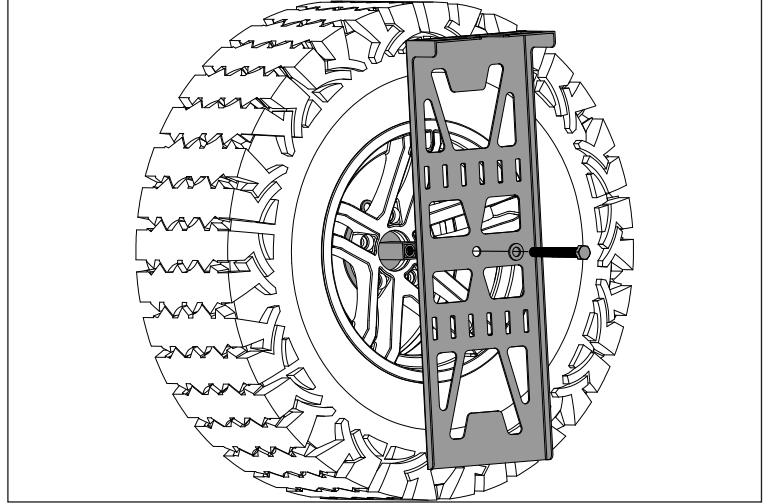
460 HORIZON DR. SUITE 100 | SUWANEE, GA 30024 | PHONE: 770-614-6101 | FAX: 770-614-6069 | info@omix-ada.com

# Spare Tire Tool Rack System

## NOTICE

For tires smaller than 35 inches use Short M16 Bolt, otherwise use Long M16 Bolt.

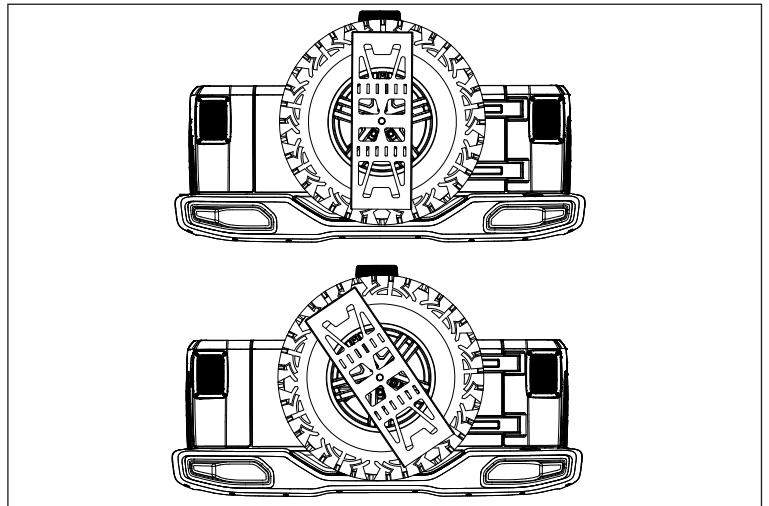
4. Using supplied M16 Bolt and Washer, loosely attach Recovery Rack to Mounting Plate. Recovery Rack should end up resting against spare tire.



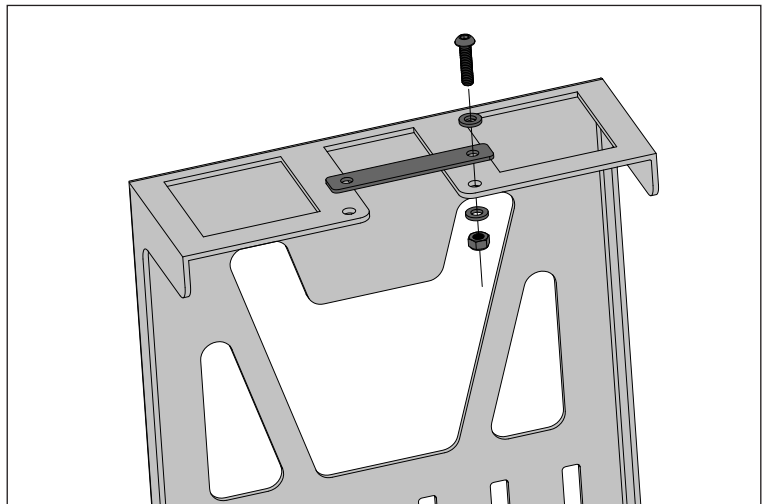
5. Torque M16 Bolt until Recovery Rack begins to slightly flex inward. Recovery Rack should not rotate compared to tire.

## WARNING

For on-road use mount Recovery Rack at 10 or 2 o'clock position and arrange tools to maintain visibility of third brake light.



6. Using M6 hardware, attach Latch Bracket to Recovery Rack.



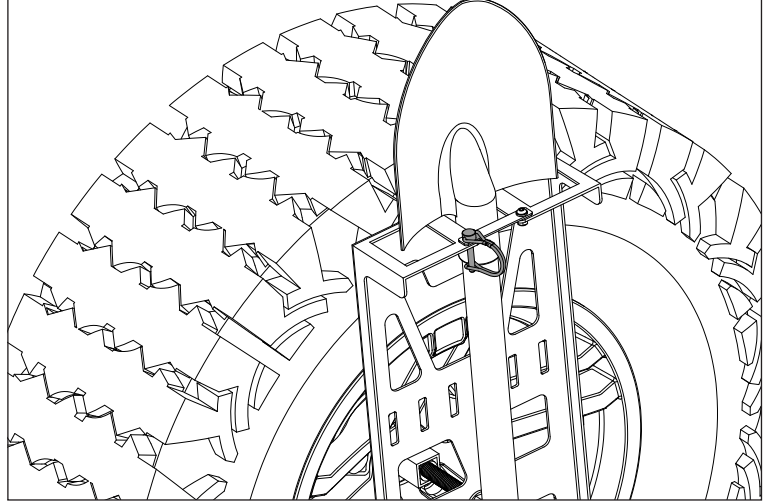


OMIX-ADA, Inc.

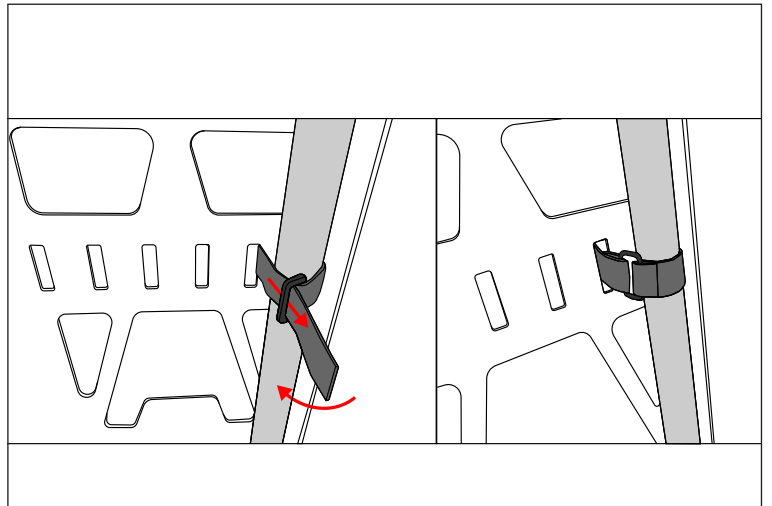
460 HORIZON DR. SUITE 100 | SUWANEE, GA 30024 | PHONE: 770-614-6101 | FAX: 770-614-6069 | info@omix-ada.com

## Spare Tire Tool Rack System

7. Install Recovery tools and secure center slot using supplied Locking Pin.



8. Use cinching strap, to hold down all tools.



**NOTICE**

Inspect and tighten all fasteners and straps after off-road use.