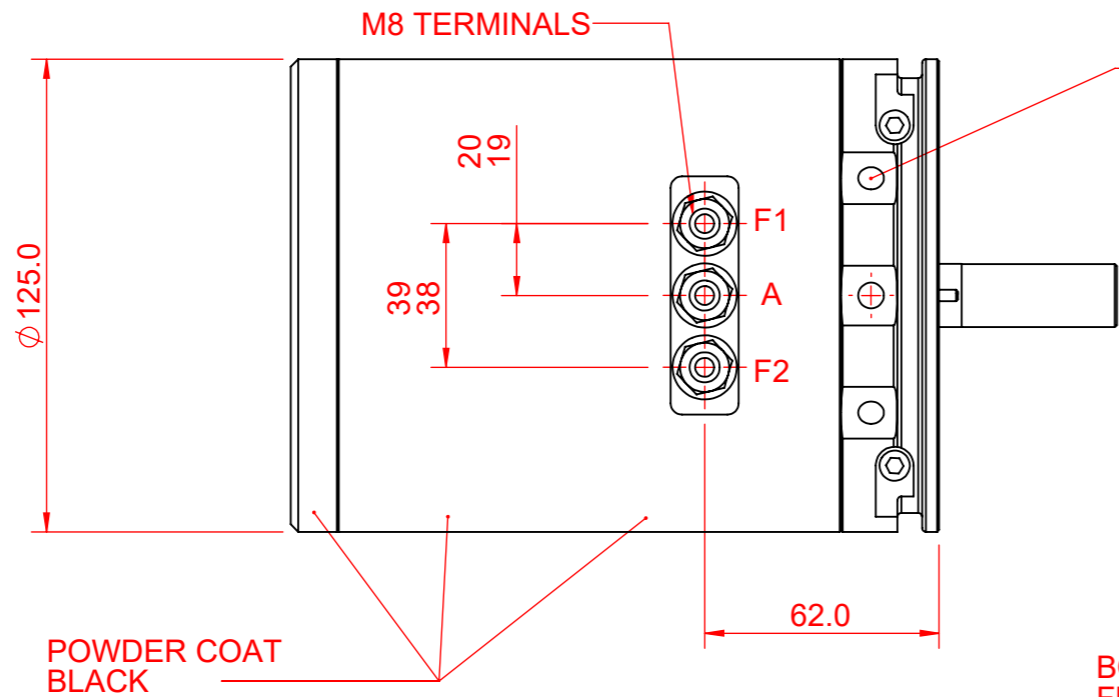
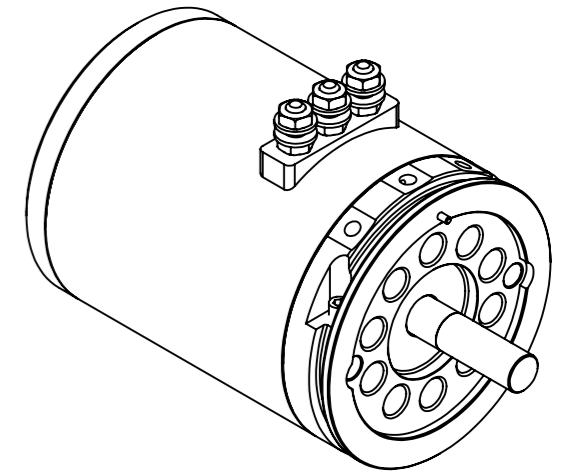
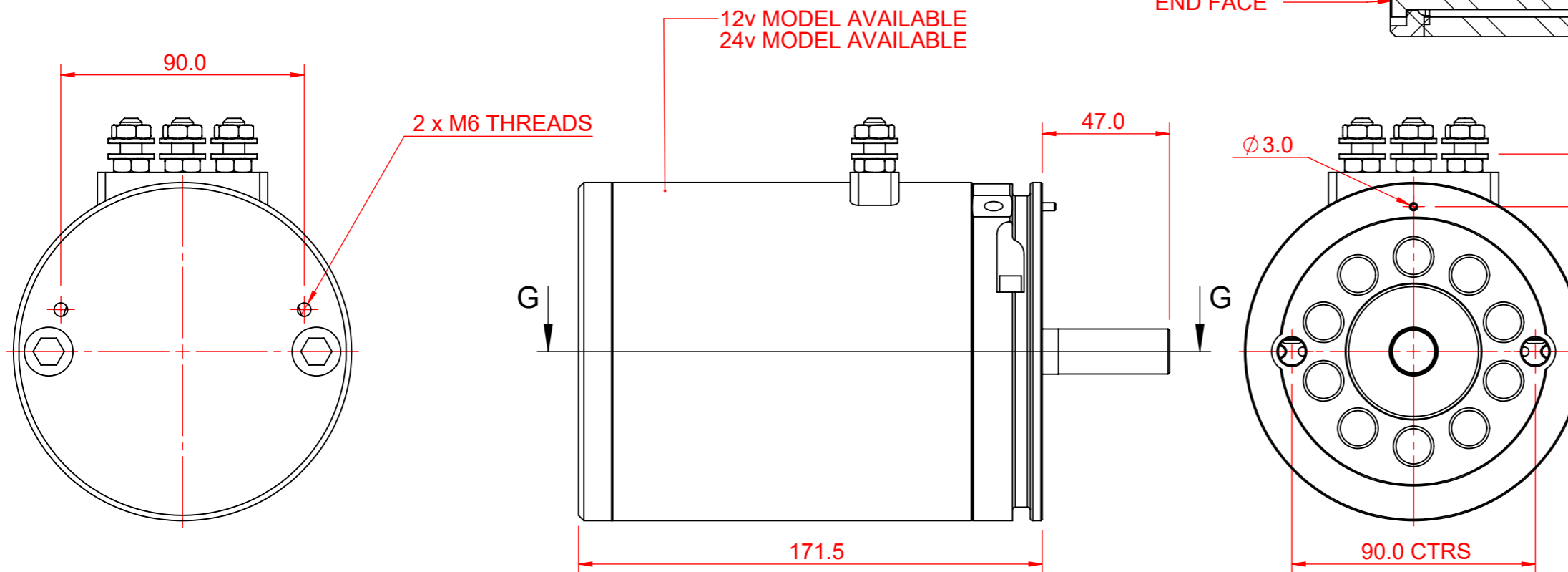
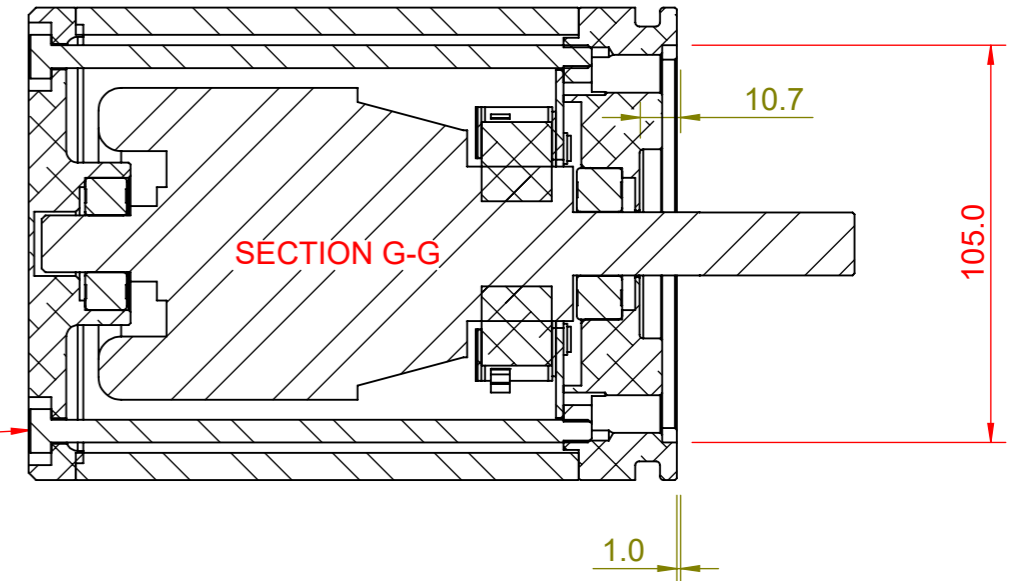


Motor	Motor Rated Voltage	Voltage Supplied to Motor	Single or Double Motor Winch	Measured Load (kg) Inline (Skid Weight 2500kg)	AMPS Drawn	VOLTS Under Load (Measured)	Pull Measured Length (m)
OX Motor	12	12	Double	1580	805	11.5	10
OX Motor	12	24	Double	1580	800	19.5	10
Motor	Motor Rating Voltage	Voltage Supplied	Single or Double Motor	Measured Load (kg) Inline (Skid Weight 1900kg)	AMPS Drawn	VOLTS Under Load (Measured)	Pull Measured Length (m)
OX Motor	12	24	Double	1150	600	20	20



EARTH CONNECTION POINTS x 3 M8 THREAD

NO PAINT ON THESE EARTH CONNECTIONS FACES



**TITLE** OX MOTOR  
THE NEW COMPETITION WINCH MOTOR, 7HP, QUICK RELEASE SYSTEM

Telephone: +44 (0)1460 67744  
Email: sales@red-winches.com

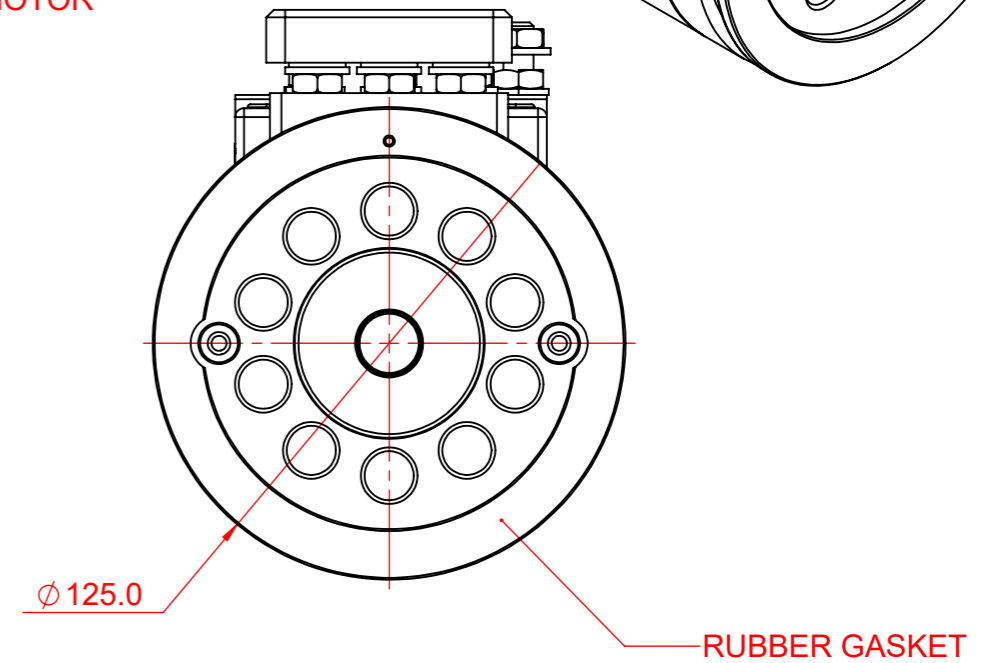
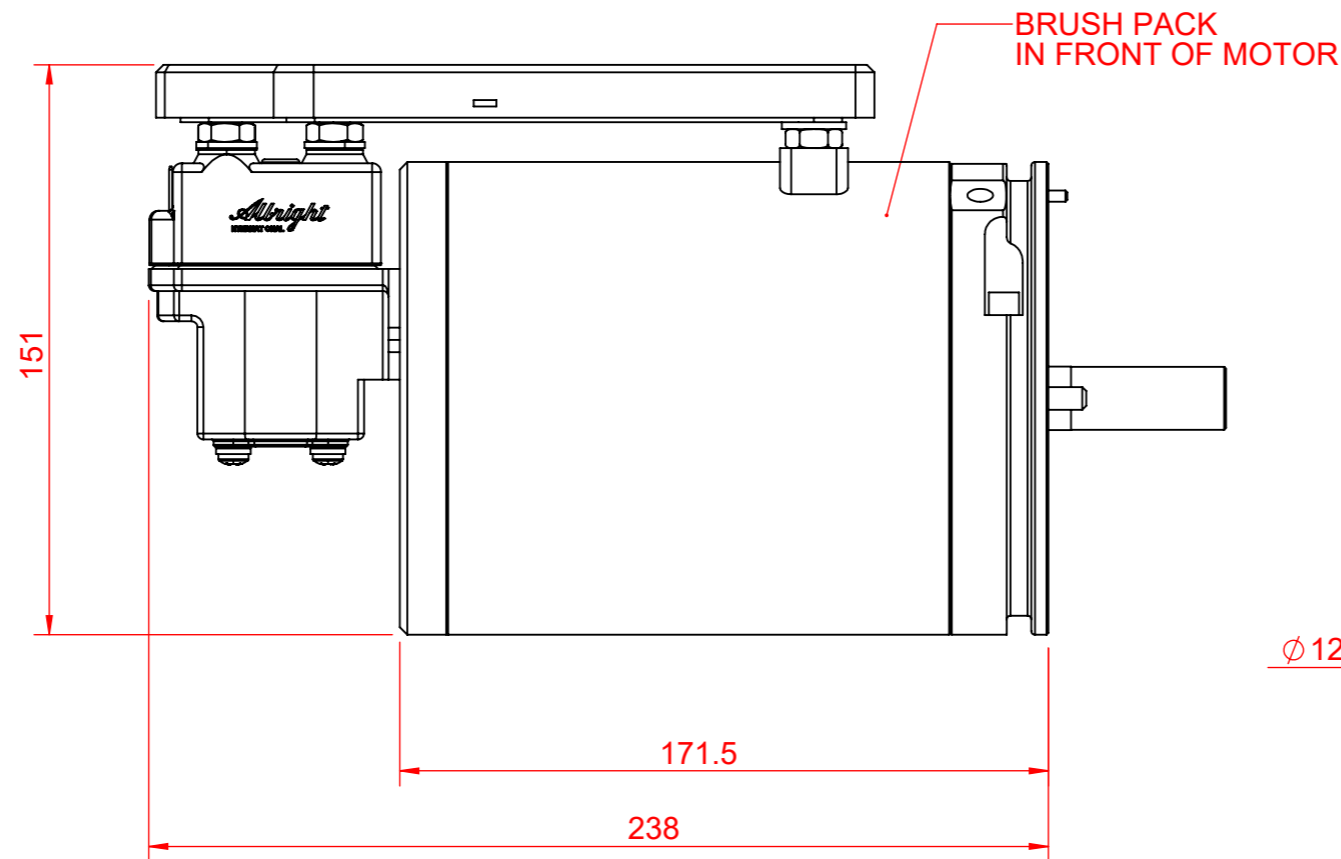
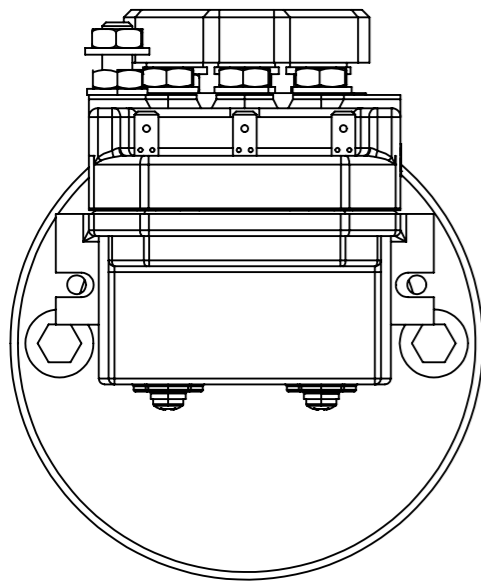
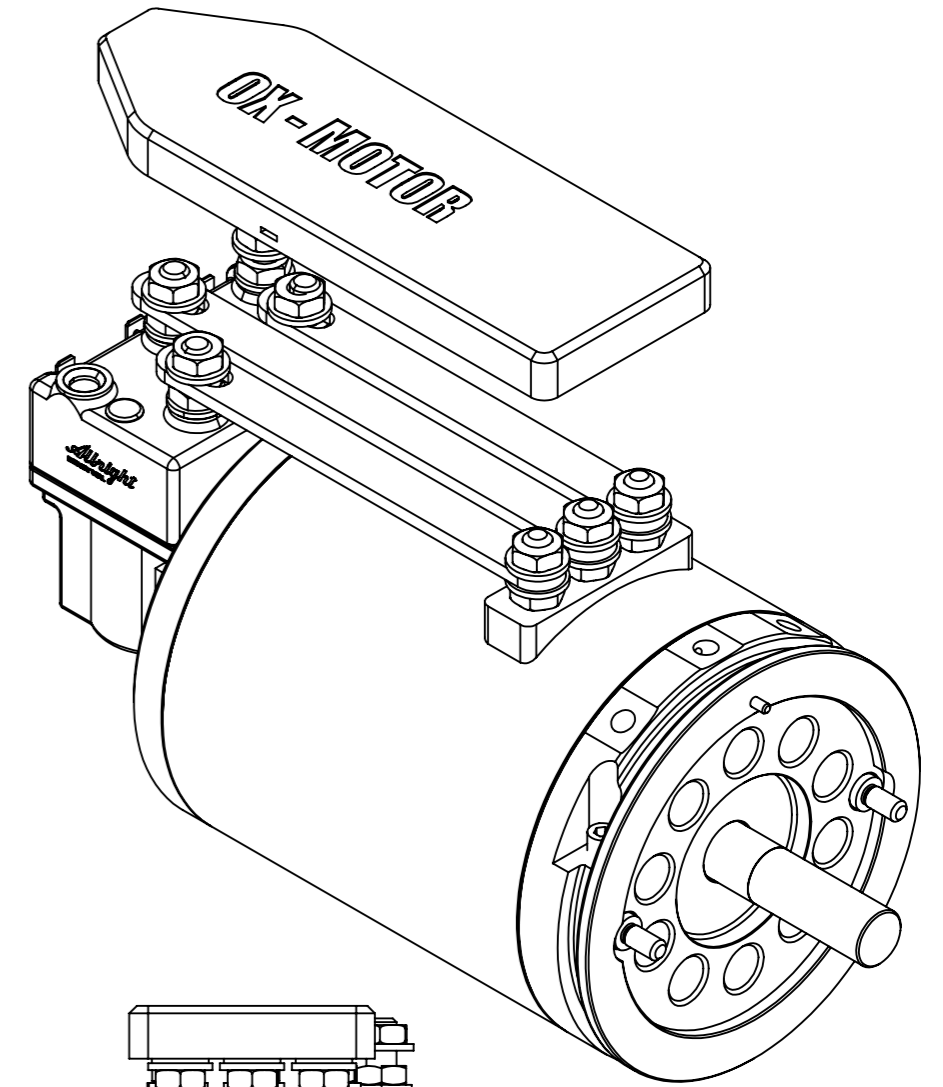
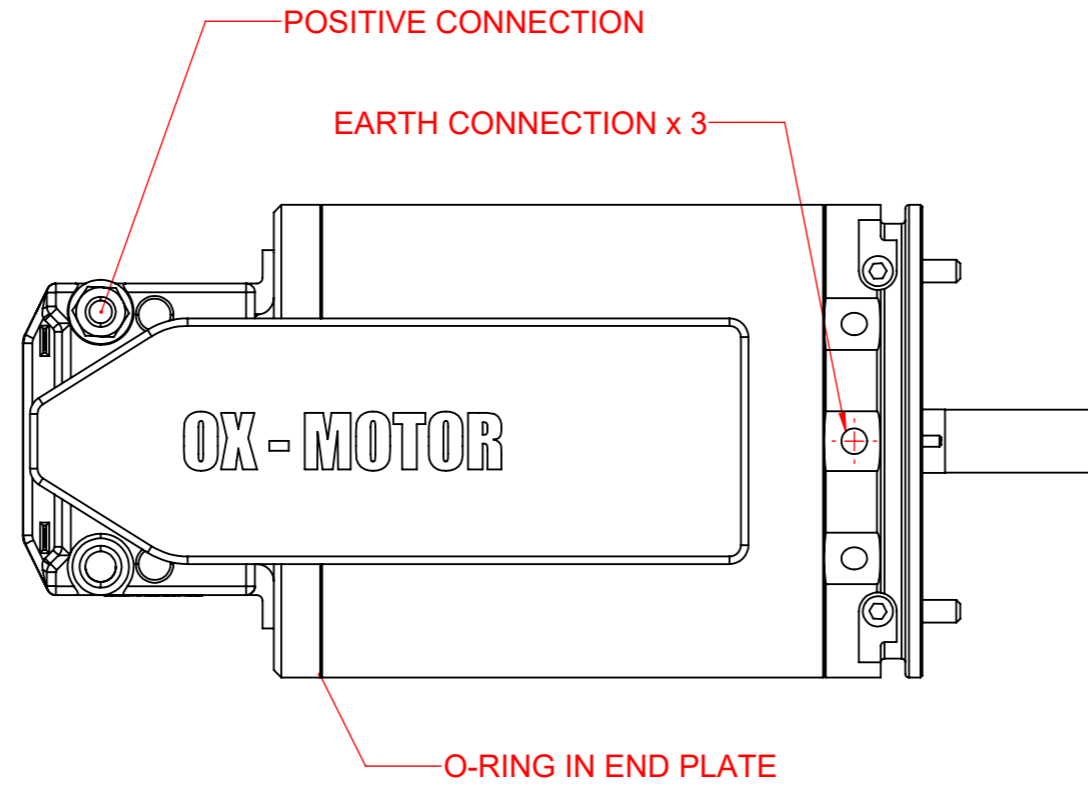
**RED Winches** [www.red-winches.com](http://www.red-winches.com)  
ULTIMATE PERFORMANCE PRODUCTS

DRAWING NUMBER: **MANUAL - OX MOTOR** SCALE: **1:2** SHT 1 OF 3

Drawing not to be reproduced or distributed in any format or method without specific permission from Redstart/Design.

**DRAWING SHOWS OX MOTOR WITH OPTIONAL EXTRAS FITTED:**

- ALBRIGHT: 1000 SERIES
- COPPER BUS BARS
- BUS BAR COVER



**TITLE** OX MOTOR  
THE NEW COMPETITION WINCH MOTOR, 7HP, QUICK RELEASE SYSTEM

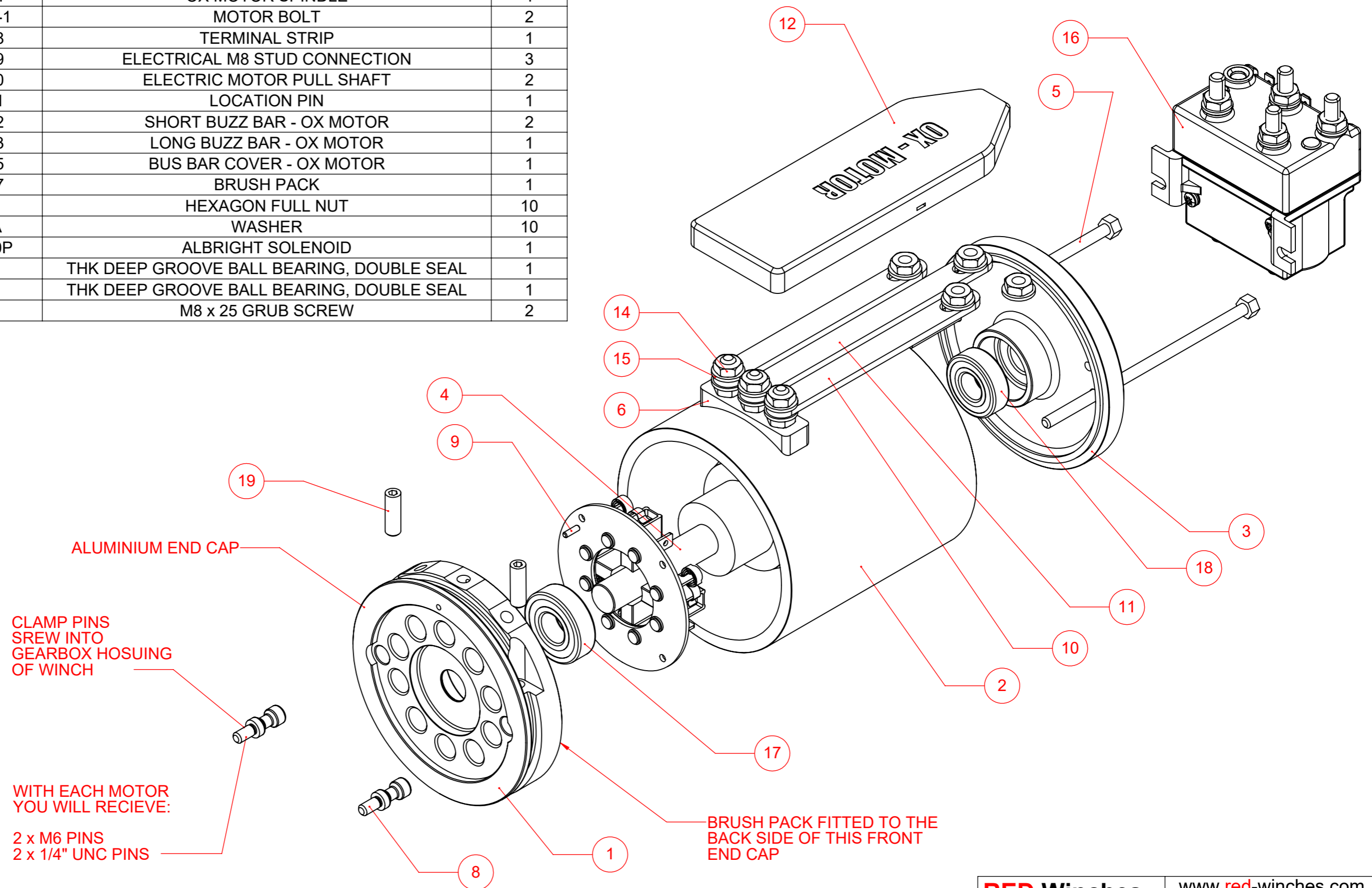
Telephone: +44 (0)1460 67744  
Email: sales@red-winches.com

**RED Winches** www.red-winches.com  
ULTIMATE PERFORMANCE PRODUCTS

DRAWING NUMBER: MANUAL - OX MOTOR SCALE: 1:2 SHT 2 OF 3

Drawing not to be reproduced or distributed in any format or method without specific permission from Redstart/Design.

ITEM NO.	PART / DRG NUMBER	DESCRIPTION	Default/Q TY.
1	RWM-MD-01B	MOTOR END PLATE - DRIVE SHAFT	1
2	RWM-MD-02	MOTOR TUBE BODY	1
3	RWM-MD-03	MOTOR END CAP	1
4	RWM-MD-04	OX MOTOR SPINDLE	1
5	RWM-MD-07-1	MOTOR BOLT	2
6	RWM-MD-08	TERMINAL STRIP	1
7	RWM-MD-09	ELECTRICAL M8 STUD CONNECTION	3
8	RWM-MD-10	ELECTRIC MOTOR PULL SHAFT	2
9	RWM-MD-11	LOCATION PIN	1
10	RWM-MD-12	SHORT BUZZ BAR - OX MOTOR	2
11	RWM-MD-13	LONG BUZZ BAR - OX MOTOR	1
12	RWM-MD-15	BUS BAR COVER - OX MOTOR	1
13	RWM-MD-17	BRUSH PACK	1
14	M8	HEXAGON FULL NUT	10
15	M8 FORM A	WASHER	10
16	DC0088-1000P	ALBRIGHT SOLENOID	1
17	6203	THK DEEP GROOVE BALL BEARING, DOUBLE SEAL	1
18	6202	THK DEEP GROOVE BALL BEARING, DOUBLE SEAL	1
19	M8 x 25	M8 x 25 GRUB SCREW	2



**TITLE** **OX MOTOR**  
**THE NEW COMPETITION WINCH MOTOR, 7HP, QUICK RELEASE SYSTEM**

Telephone: +44 (0)1460 67744  
Email: sales@red-winches.com

**RED Winches** [www.red-winches.com](http://www.red-winches.com)  
ULTIMATE PERFORMANCE PRODUCTS

DRAWING NUMBER: **MANUAL - OX MOTOR** SCALE: 1:2 SHT 3 OF 3

Drawing not to be reproduced or distributed in any format or method without specific permission from Redstart/Design.