



Jeep Grand Cherokee | Durango Bypass Install

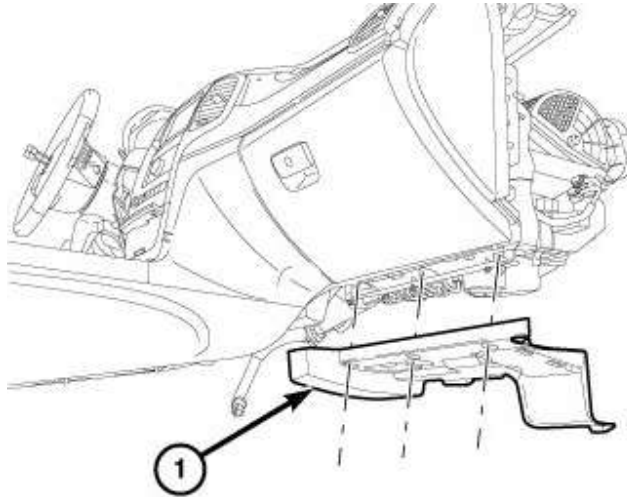


All 2018 FCA vehicles are built with an SGW Security Gateway Module that prevents access to the vehicle from the OBD2 port by anything but the dealer diagnostic tools.

- 2018 Durango
- 2018 Jeep Grand Cherokee

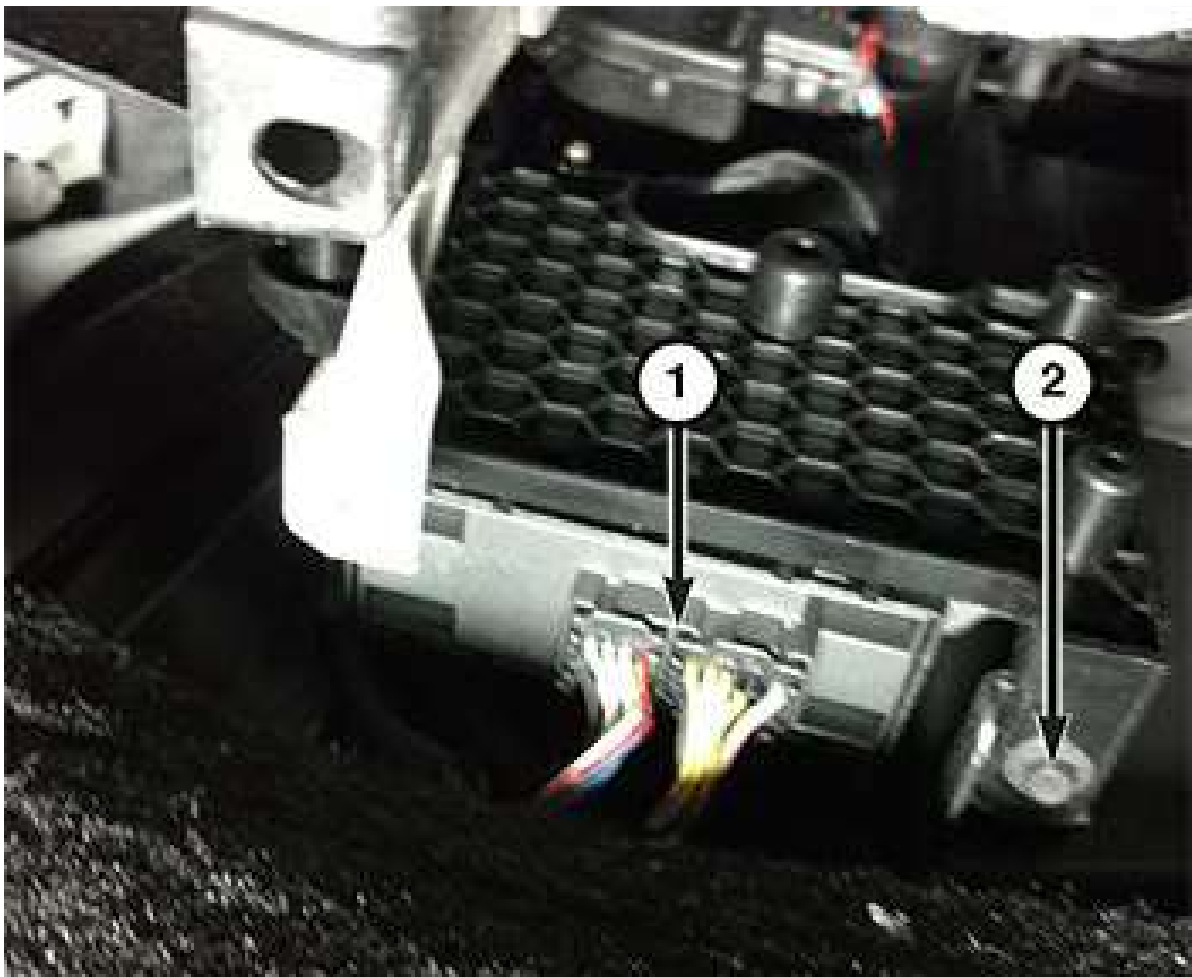
Installation

Step 1: Remove Push Pins Holding Passenger Side Carpet Silencer Panel In Place (Circled in Red)

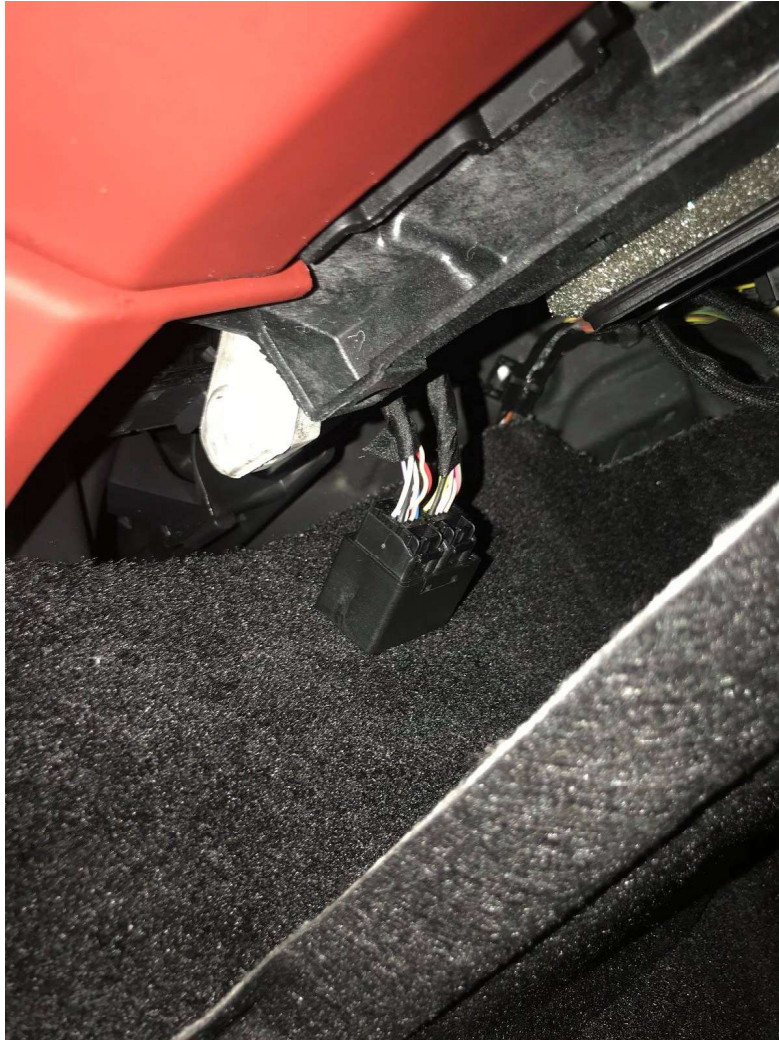




Step 2: Remove both connectors plugged into security gateway module (Label 1)



Step 3: Plug in Security Bypass Block into Existing Connectors and tuck up inside. Reinstall Push pins holding silencer panel in place.



DISCLAIMER:

Bypass DOES need to be removed prior to bringing vehicle into service or else dealer tools will not work.

Z Automotive cannot be held responsible misuse or consequential damages. If you are in doubt, email techsupport@zautotech.com. Please be aware that modifying your vehicle in any way can affect your vehicle's warranty, longevity, handling, etc. Please use with caution, and AT YOUR OWN RISK.