

RHINO-RACK®

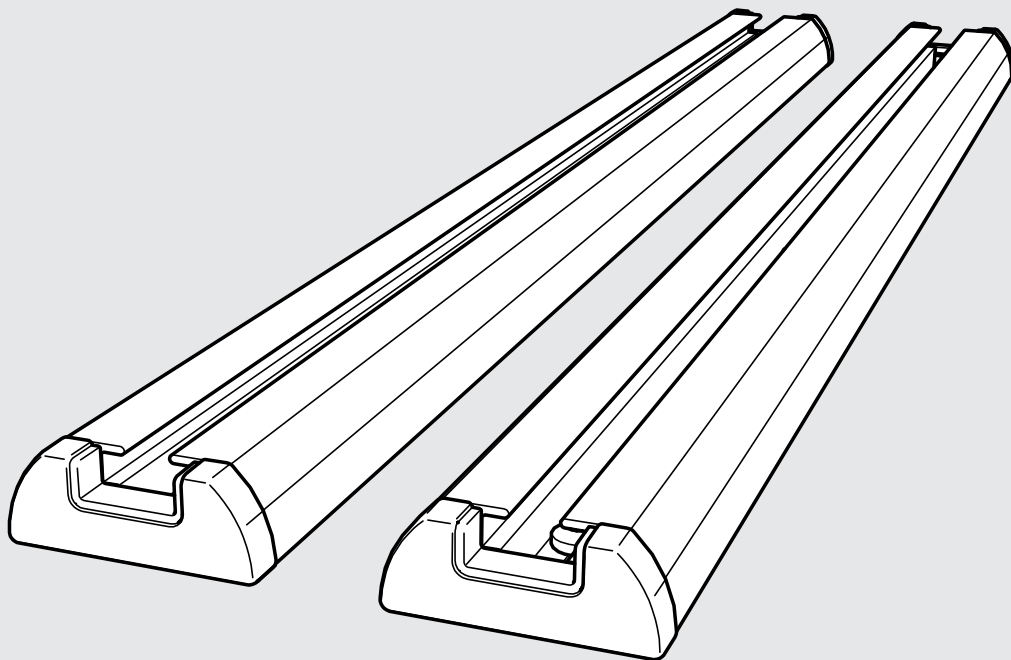
610mm Pioneer Accessory Bar

61021

Important:

1. Check the Rhino-Rack website to ensure you have the latest issue of these instructions.
2. Please refer to your fitting instruction to ensure that the roof racks are installed in the correct locations.
3. Check the contents of kit before commencing fitment and report any discrepancies.
4. Place these instructions in the vehicle's glove box after installation is complete.
5. These instructions must be followed for warranty to be upheld.

Fit Time: 5 mins



Thank you for choosing Rhino-Rack!



WELCOME TO THE HERD.

For peace of mind register your product by heading to rhinorack.com/register

RHINORACK.COM

Doc. No: 520-RFI-00153

Issue No: 02

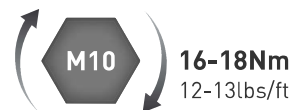
Issue Date: 31/07/2023

In Service Maintenance Checks

- All bolt connections should be checked after driving a short distance when you first install your roof racks.
- All bolted connections should be checked again at regular intervals (weekly is recommended, depending on road conditions, usage, loads and distances travelled).
- All bolted connections should be checked each time they are re-fitted.
- Off-road conditions are more rigorous. Check all bolted connections and your load more regularly.
- Ensure that your vehicle manufacturer’s GVM, and gross axle weights are not exceeded (refer to vehicle owner’s manual).

Torque Settings:

Unless stated otherwise in these instructions, all fasteners should be set to the following torque settings:



Note for Dealers and Fitters

It is your responsibility to ensure these fitting instructions are given to the end user or client. These instructions remain the property of Rhino-Rack Australia Pty. Ltd. and may not be used or changed for any other purpose than intended.

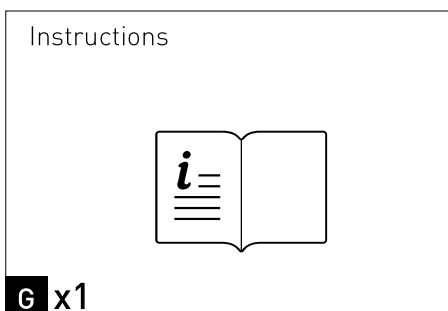
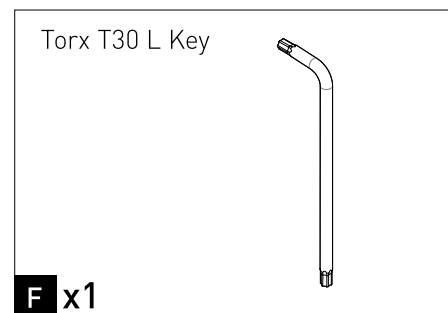
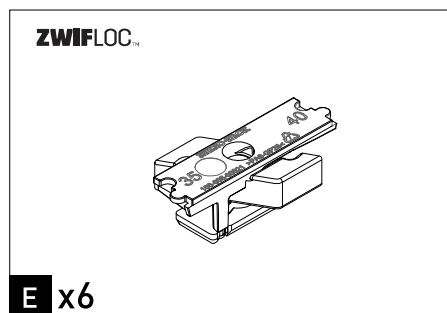
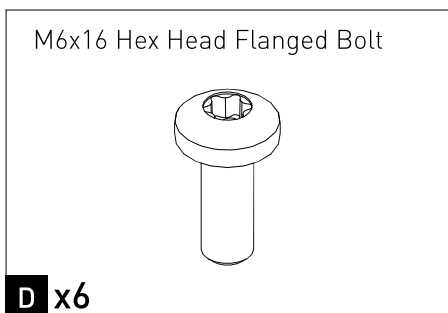
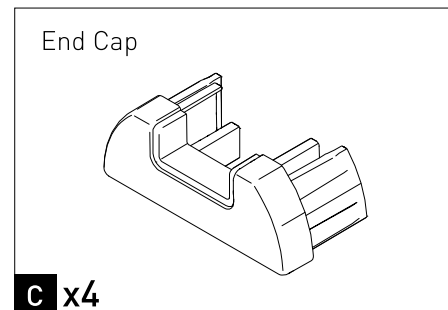
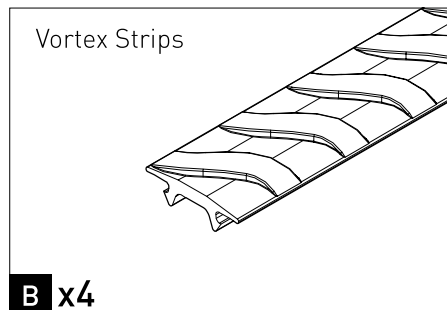
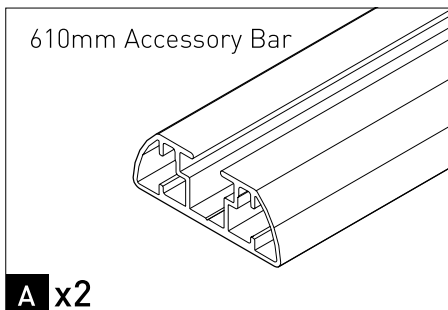
Warranty

We love creating our products for you and hope you love using them too. For complete peace of mind, register your product at www.rhinorack.com/warranty. This way, we can quickly help you with any future approved fitment warranty claims.

And remember – never to forget to **Make Space For Adventure!**

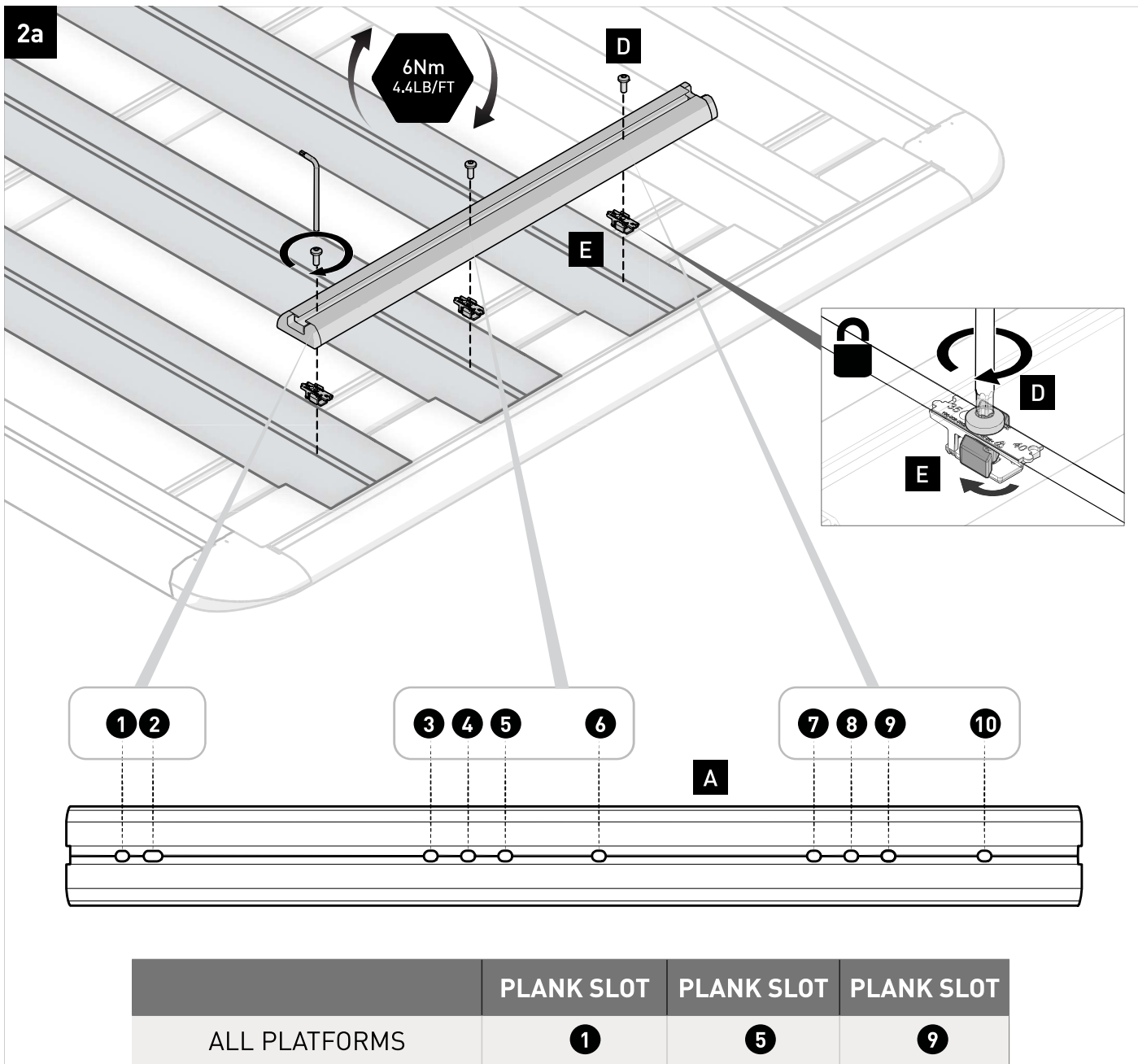
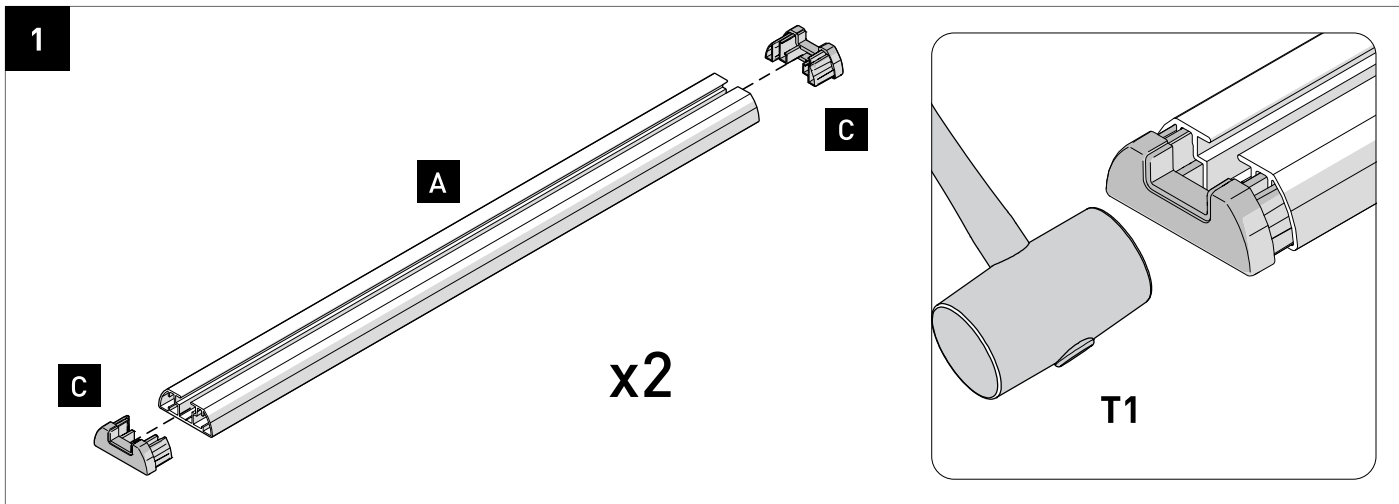


Parts List

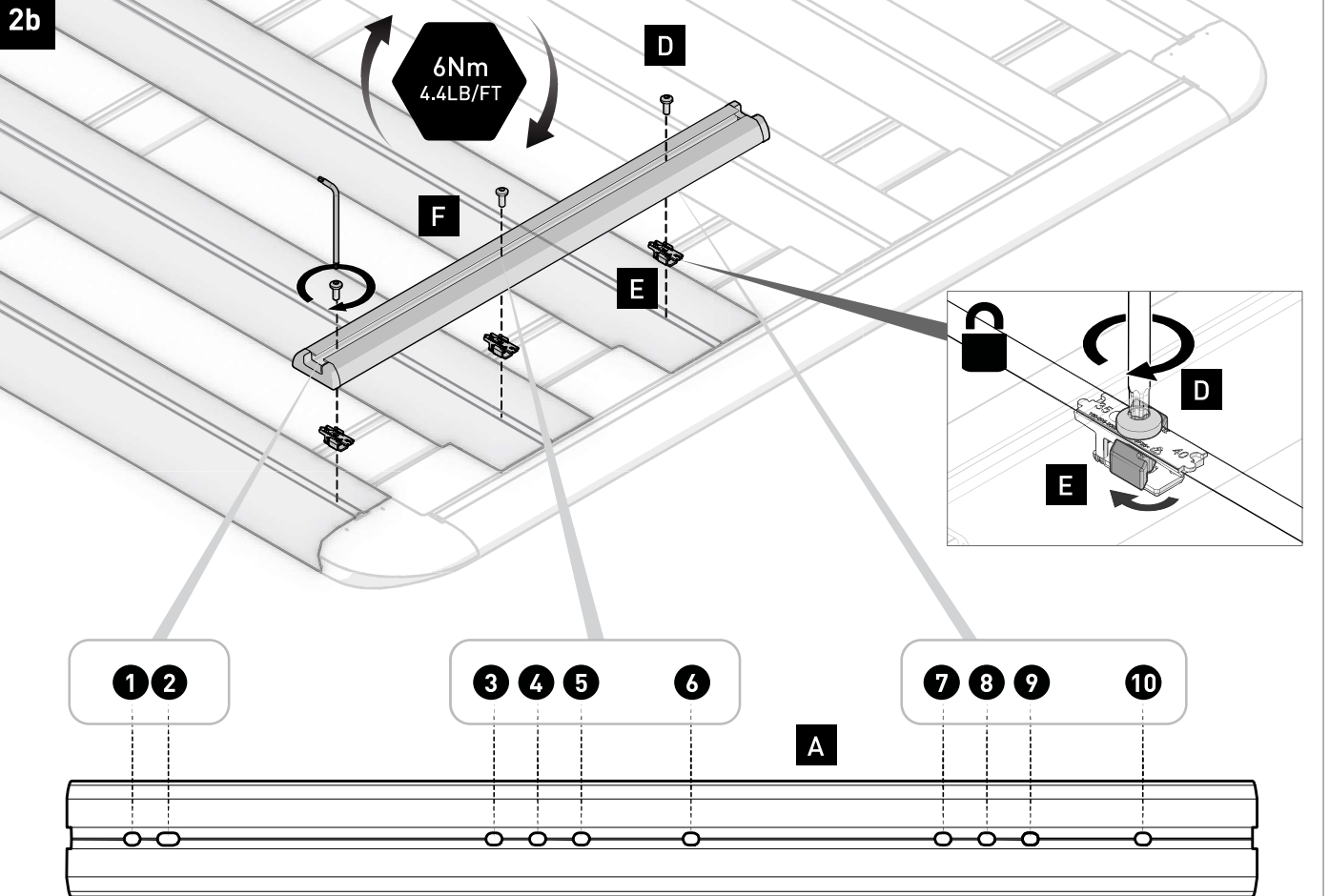


TOOLS REQUIRED

T1 - Mallet



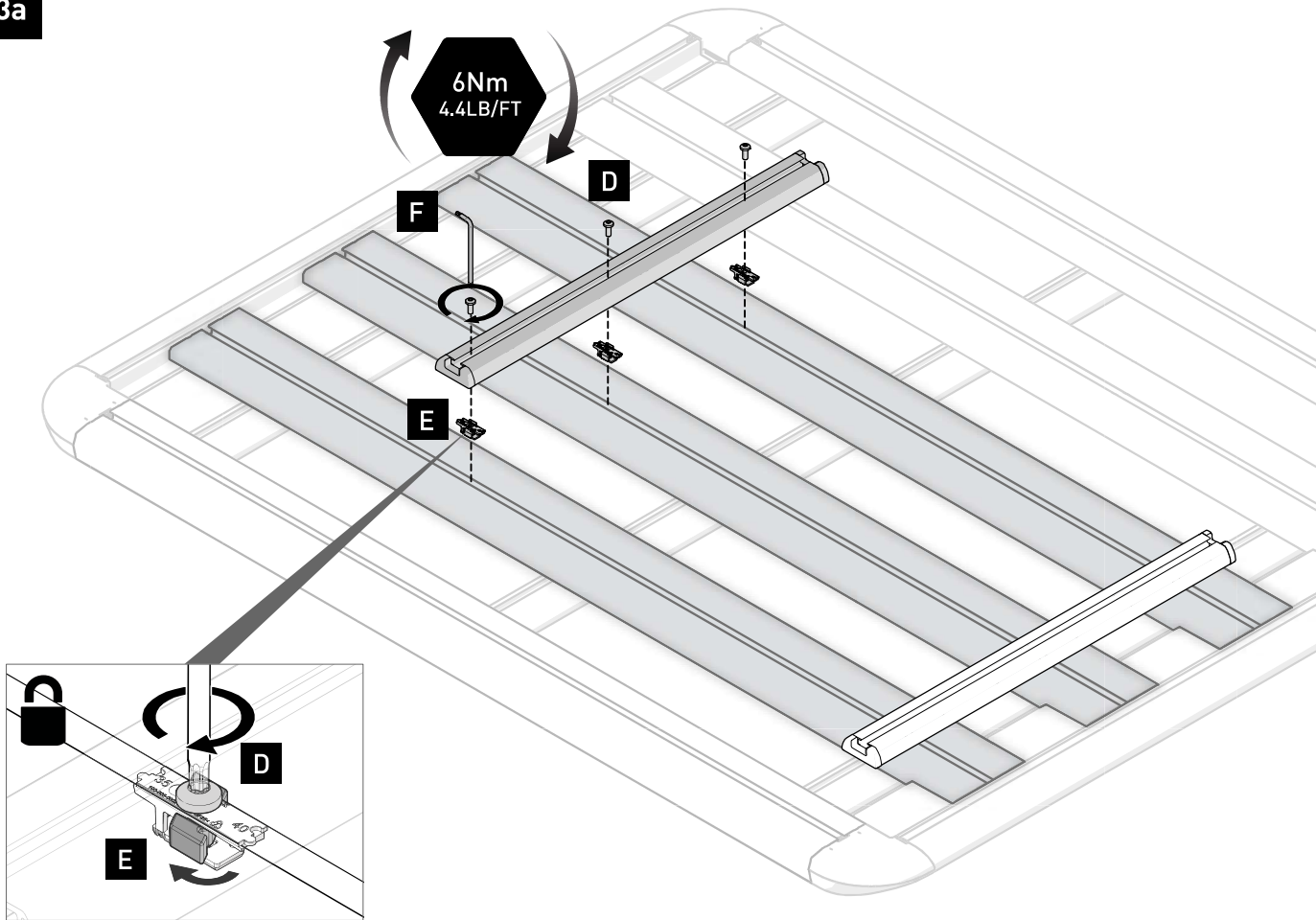
Proceed to Step **3a**



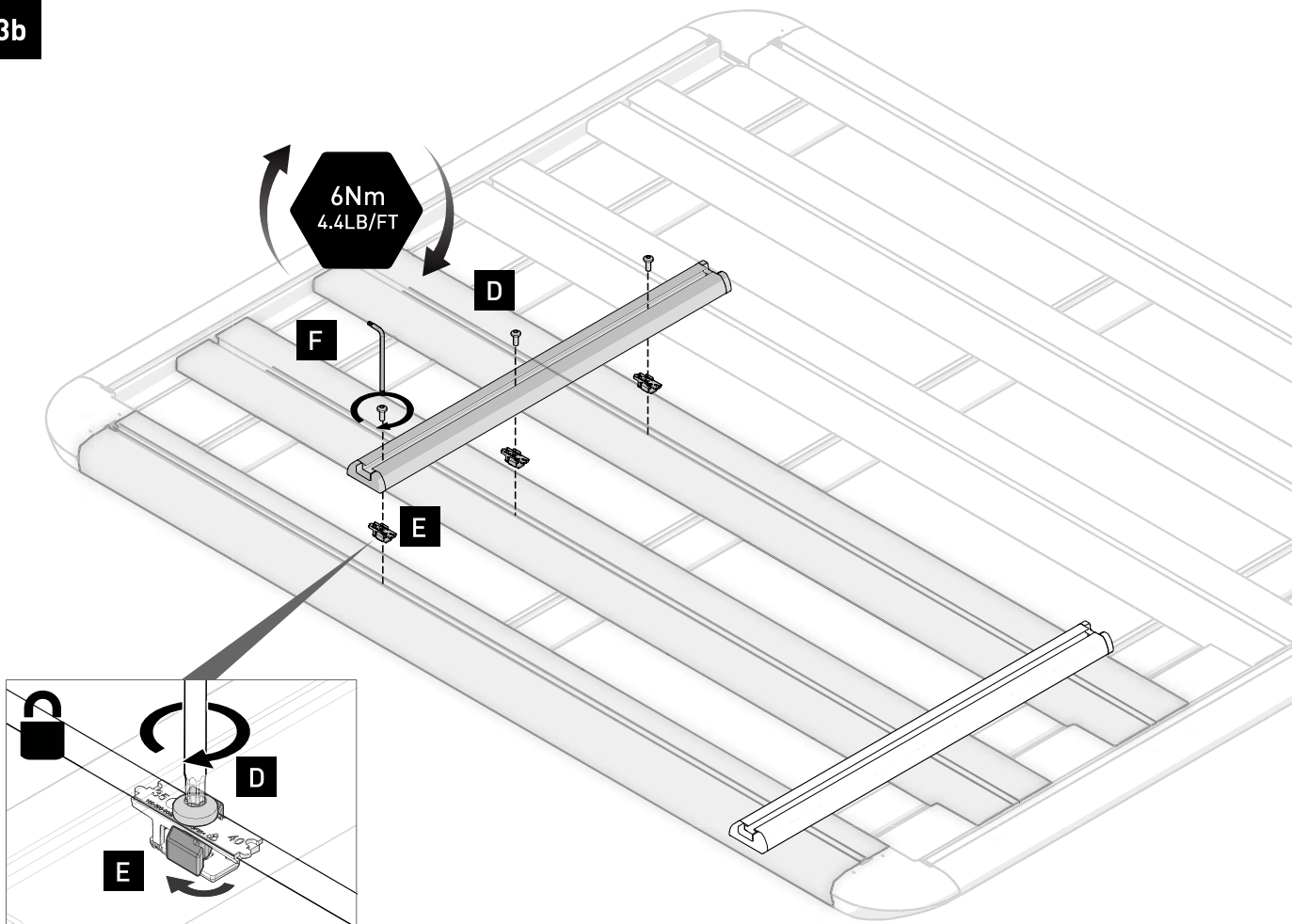
PLATFORMS	SIDE EXTRUSION SLOT	PLANK SLOT	PLANK SLOT
52112 / 62112	2	4	7
52109 / 62109	2	5	8
52110 / 62110	2	3	6
52111 / 62111	2	4	7
52100 / 62100	2	5	8
52101 / 62101	2	3	6
52113 / 62113	2	4	7
52108 / 62108	2	4	7
52102 / 62102	2	5	8
52103 / 62103	2	3	6
52107 / 62107	2	5	8
52104 / 62104	2	4	7
52105 / 62105	2	5	8
52119 / 62106	2	6	10

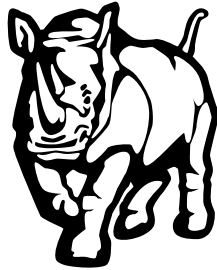
Proceed to Step **3b**

3a



3b





RHINO-RACK®

MAKE SPACE FOR ADVENTURE

RHINORACK.COM

Rhino-Rack AUSTRALIA

22A Hanson Pl,
Eastern Creek, NSW, 2766

Rhino-Rack USA

19822 East 22nd Ave,
Aurora, CO, 80011